



BRAMBLE

PRODUCT TEARSHEET



Eton Console

Shown in: **BBA**

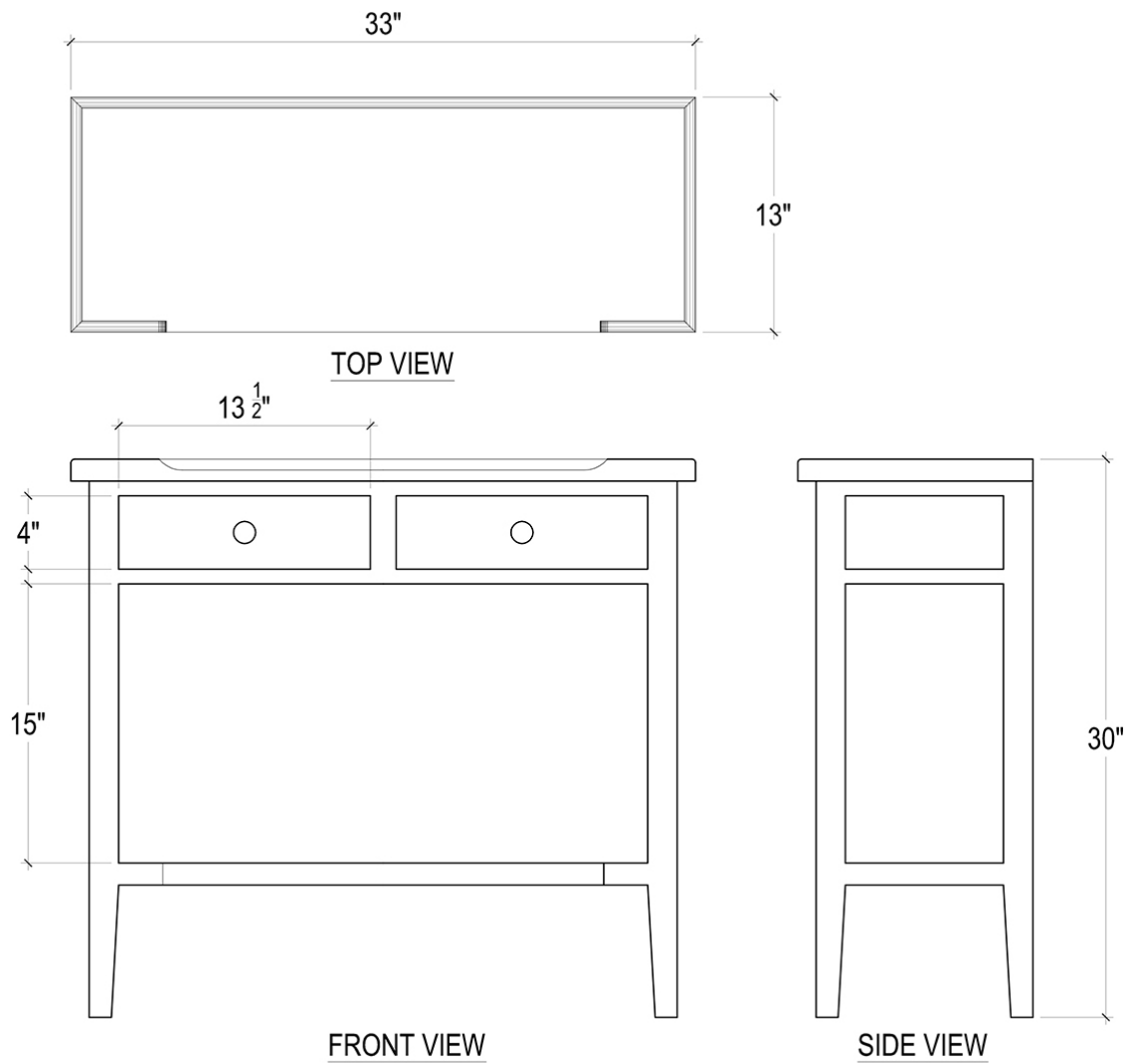
SKU: **23875**

Size: **33W x 13D x 30H in**



Overview

A notched lower shelf adds character and style to the Eton Console. From the living area to the entry, this console is built from solid mahogany and lends a pair of drawers for easy storage. This piece is offered with a vast array of finish and distress options to create a truly custom design.



Visual Highlights



Technical Specification

Dimensions	33W x 13D x 30H in	CBM	0.3
Number of Packages	1	Cubic Feet	10.59 ft³
Package 1 Dimensions	37.6 x 16.7 x 36.4 in	Package 1 Weight	30.86 lbs
Package Weight Total	30.86 lbs	Net Weight	26.46 lbs
Material	Mahogany	Best Seller	

<https://www.brambleco.com/23875>
