

EST. *B* 1991

BRAMBLE

PRODUCT TEARSHEET



Virginia Dining Table 54"

Shown in: **FRW**

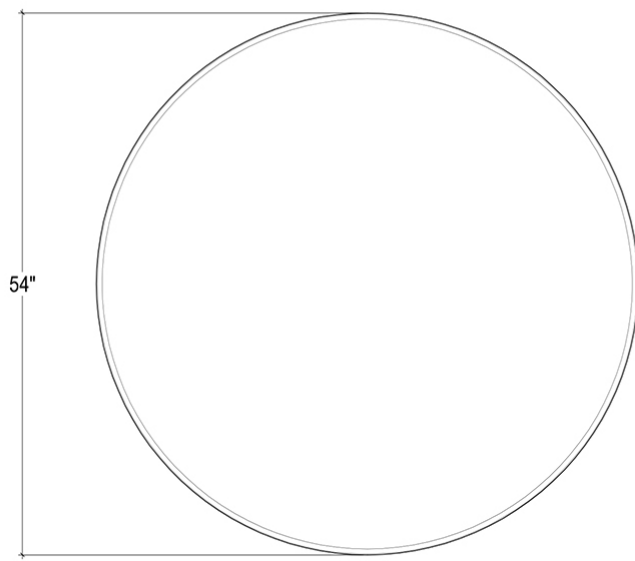
SKU: **26504**

Size: **54W x 54D x 31H in**

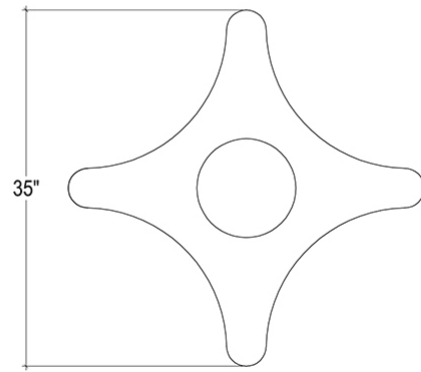


Overview

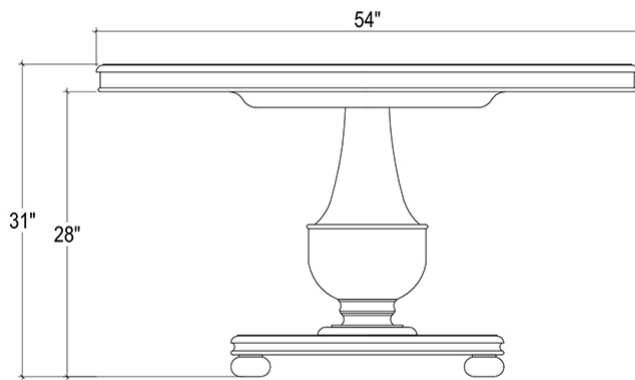
A gorgeous pedestal and curvaceous base lend a refined aesthetic to the Virginia Dining Table. Measuring five feet and featuring mahogany construction, this table is ideal for a breakfast nook or refined dining space. This piece is offered with a vast array of finish and distress options to create a truly custom design.



TOP VIEW



BOTTOM VIEW



FRONT VIEW

Visual Highlights



Technical Specification

Dimensions	54W x 54D x 31H in	CBM	0.73
Number of Packages	2	Cubic Feet	25.78 ft³
Package 1 Dimensions	57.1 x 57.1 x 8.3 in	Package 1 Weight	54.56 lbs
Package 2 Dimensions	30.3 x 30.3 x 35.8 in	Package 2 Weight	66.69 lbs
Package Weight Total	121.25 lbs	Net Weight	106.92 lbs
Material	Mahogany	Best Seller	

<https://www.brambleco.com/26504>
