



BRAMBLE

PRODUCT TEARSHEET



Manchester Dining Chair w/ Wooden Seat

Shown in: **FRW**

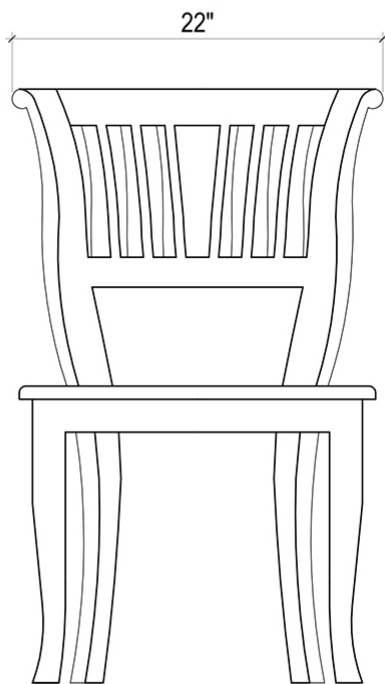
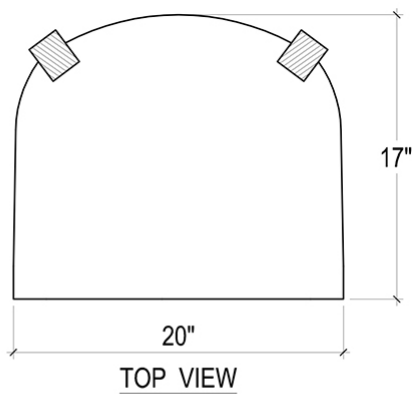
SKU: **26160**

Size: **22W x 21D x 35H in**

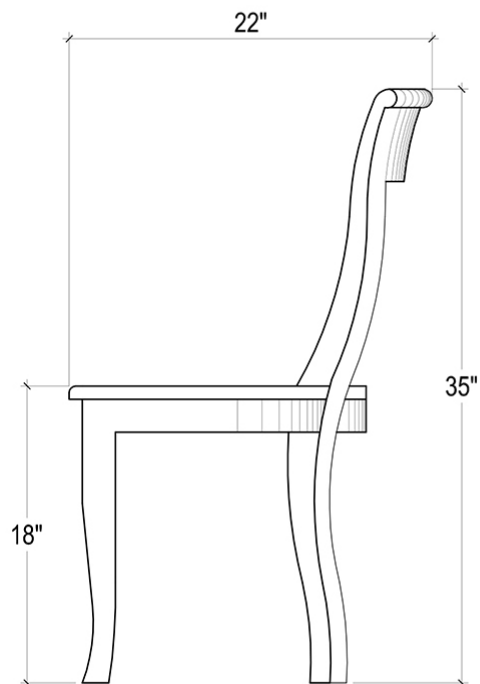


Overview

Clean, stylish design offers classic character to the Manchester Dining Chair with a wooden seat. Boasting a slat-accented back, this mahogany chair includes elegant legs that lend casual appeal to the dining table. This piece is offered with a vast array of finish and distress options to create a truly custom design.



FRONT VIEW



SIDE VIEW

Visual Highlights



Technical Specification

Dimensions	22W x 21D x 35H in	CBM	0.2
Number of Packages	1	Cubic Feet	7.06 ft³
Package 1 Dimensions	23.6 x 22.4 x 38.2 in	Package 1 Weight	25.35 lbs
Package Weight Total	25.35 lbs	Net Weight	18.74 lbs
Material	Mahogany	Best Seller	

<https://www.brambleco.com/26160>
