



BRAMBLE

PRODUCT TEARSHEET



Huntley 3 Drawer Nightstand

Shown in: **STW**

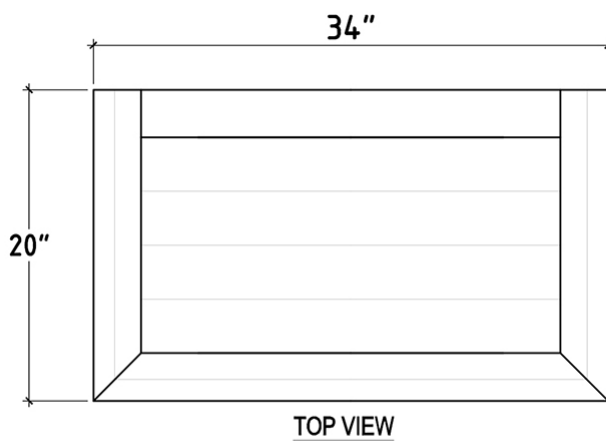
SKU: **26145**

Size: **34W x 20D x 32H in**

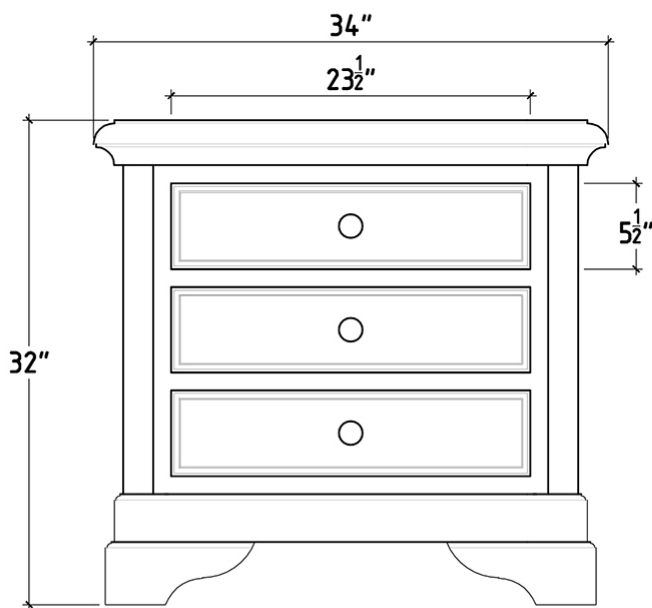


Overview

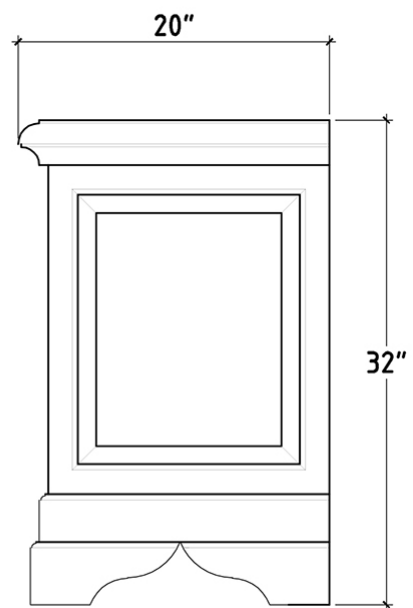
Offering classic style and clean precision, the Huntley 3-Drawer Night Stand is a lovely choice to accent the bedside. Built in solid mahogany, this nightstand features dovetail drawers and a handsome, strong profile. This piece is offered with a vast array of finish and distress options to create a truly custom design.



TOP VIEW



FRONT VIEW



SIDE VIEW

Visual Highlights



Technical Specification

Dimensions	34W x 20D x 32H in	CBM	0.44
Number of Packages	1	Cubic Feet	15.54 ft³
Package 1 Dimensions	37 x 23.6 x 37.4 in	Package 1 Weight	94.8 lbs
Package Weight Total	94.8 lbs	Net Weight	83.78 lbs
Material	Mahogany	Best Seller	

<https://www.brambleco.com/26145>
