



BRAMBLE

PRODUCT TEARSHEET



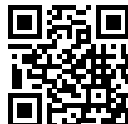
# Aries Nightstand Cabinet

---

Shown in: **DRW**

SKU: **24170**

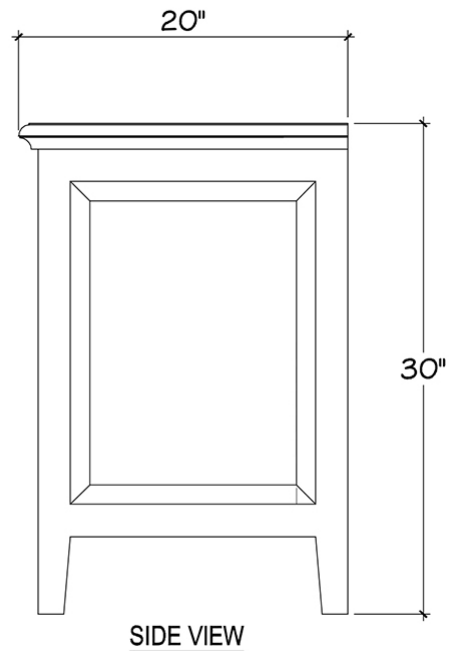
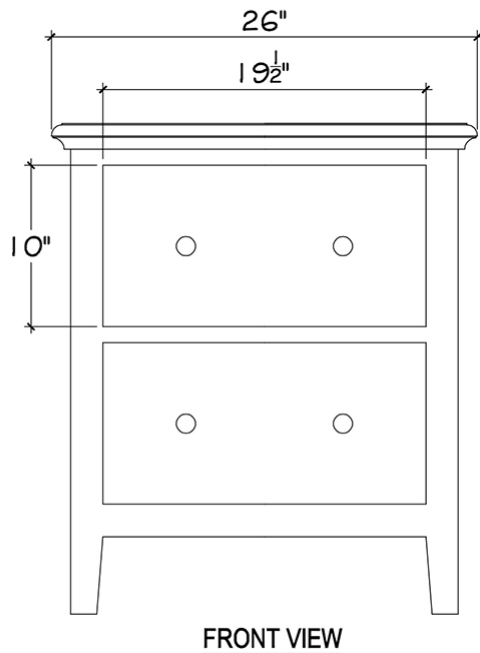
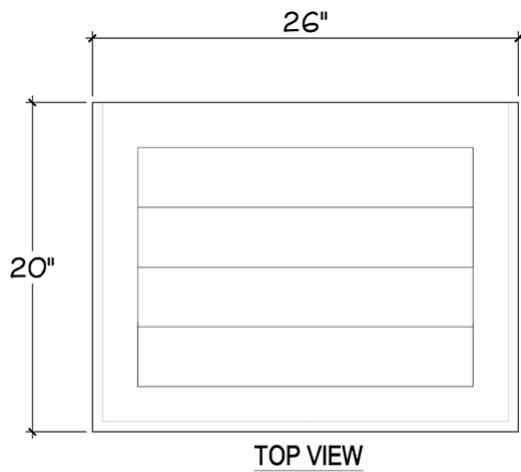
Size: **26W x 20D x 30H in**



## Overview

---

Add classic farmhouse style to the bedside with this Aries Nightstand Cabinet with a pair of spacious drawers. Complemented with solid mahogany construction, this nightstand boasts clean lines and traditional drawer pulls. This piece is offered with a vast array of finish and distress options to create a truly custom design.



## Visual Highlights

---



## Technical Specification

---

Dimensions	<b>26W x 20D x 30H in</b>	CBM	<b>0.32</b>
Number of Packages	<b>1</b>	Cubic Feet	<b>11.3 ft<sup>3</sup></b>
Package 1 Dimensions	<b>29.1 x 23.2 x 35.4 in</b>	Package 1 Weight	<b>66.14 lbs</b>
Package Weight Total	<b>66.14 lbs</b>	Net Weight	<b>61.73 lbs</b>
Material	<b>Mahogany</b>		

<https://www.brambleco.com/24170>

---