



BRAMBLE

PRODUCT TEARSHEET



Americana Nightstand Cabinet

Shown in: **DRW**

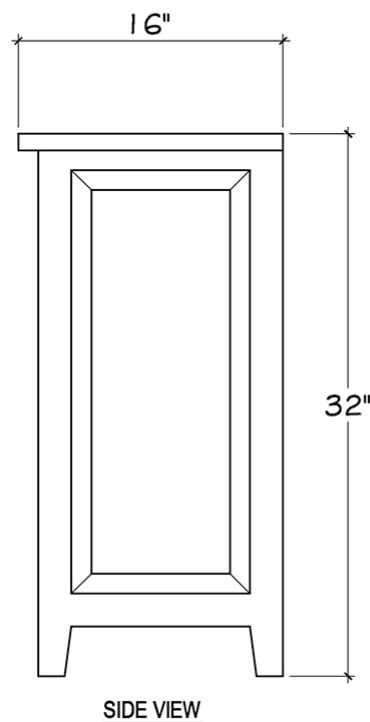
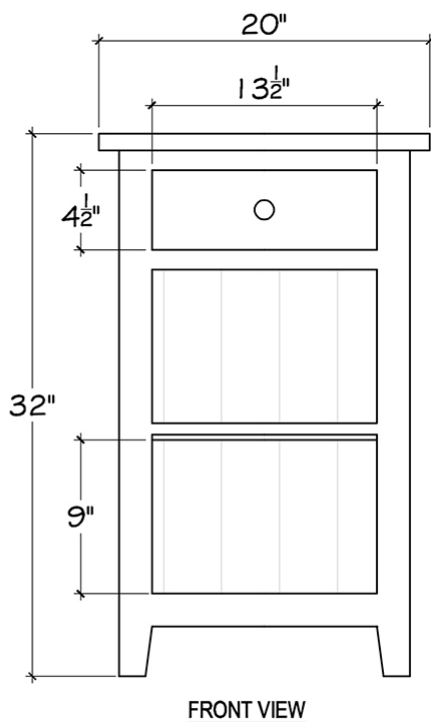
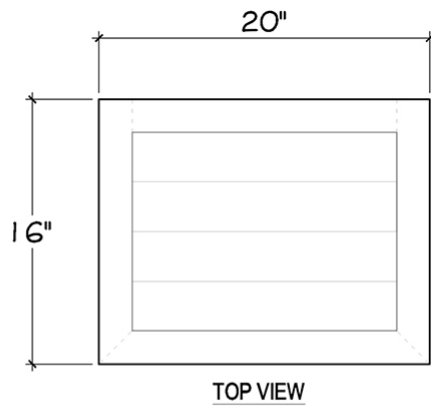
SKU: **22692**

Size: **20W x 16D x 32H in**



Overview

Clean lines complement the traditional simplicity of the Americana Nightstand Cabinet. Crafted in solid mahogany, this nightstand offers a petite top with one drawer and one shelf for storage. This piece is offered with a vast array of finish and distress options to create a truly custom design.



Visual Highlights

Technical Specification

Dimensions	20W x 16D x 32H in	CBM	0.21
Number of Packages	1	Cubic Feet	7.42 ft³
Package 1 Dimensions	22.8 x 18.9 x 37.8 in	Package 1 Weight	48.5 lbs
Package Weight Total	48.5 lbs	Net Weight	39.68 lbs
Material	Mahogany		

<https://www.brambleco.com/22692>
