

EST. *B* 1991

BRAMBLE

PRODUCT TEARSHEET



# Small Boucherie

---

Shown in: **CCA RAW**

SKU: **23757**

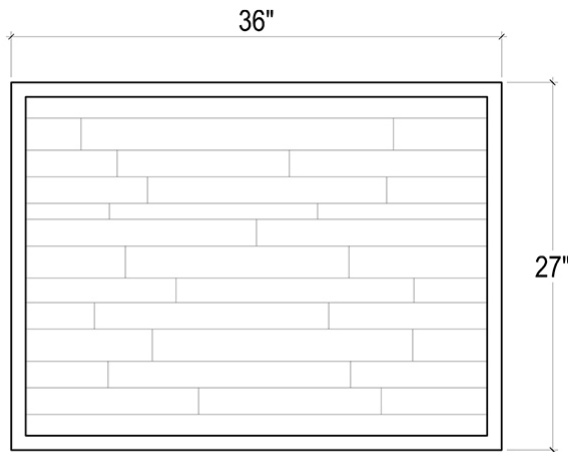
Size: **36W x 27D x 37H in**



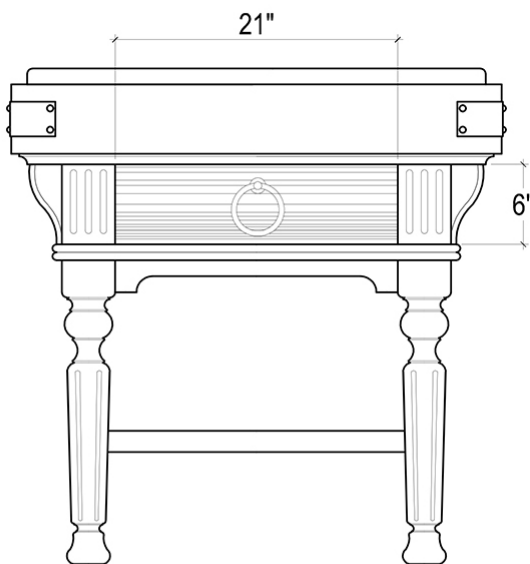
## Overview

---

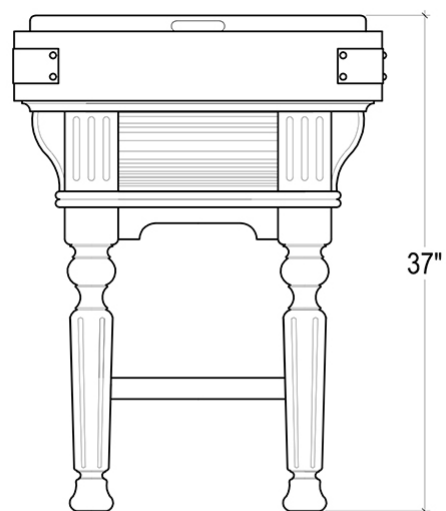
This Small Boucherie is perfect for adding an extra dose of highly fashionable accenting. Made with a fine mahogany wood construction, this lovely table also offers a dovetail drawer for easy storage. This piece is offered with a vast array of finish and distress options to create a truly custom design.



TOP VIEW



FRONT VIEW



SIDE VIEW

## Visual Highlights

---



## Technical Specification

---

Dimensions	<b>36W x 27D x 37H in</b>	CBM	<b>0.7</b>
Number of Packages	<b>1</b>	Cubic Feet	<b>24.72 ft<sup>3</sup></b>
Package 1 Dimensions	<b>39.4 x 30.3 x 42.1 in</b>	Package 1 Weight	<b>125.66 lbs</b>
Package Weight Total	<b>125.66 lbs</b>	Net Weight	<b>119.05 lbs</b>
Material	<b>Mahogany, Mindi</b>	<b>Best Seller</b>	

<https://www.brambleco.com/23757>

---