



BRAMBLE

PRODUCT TEARSHEET



English Tray

Shown in: **FRW**

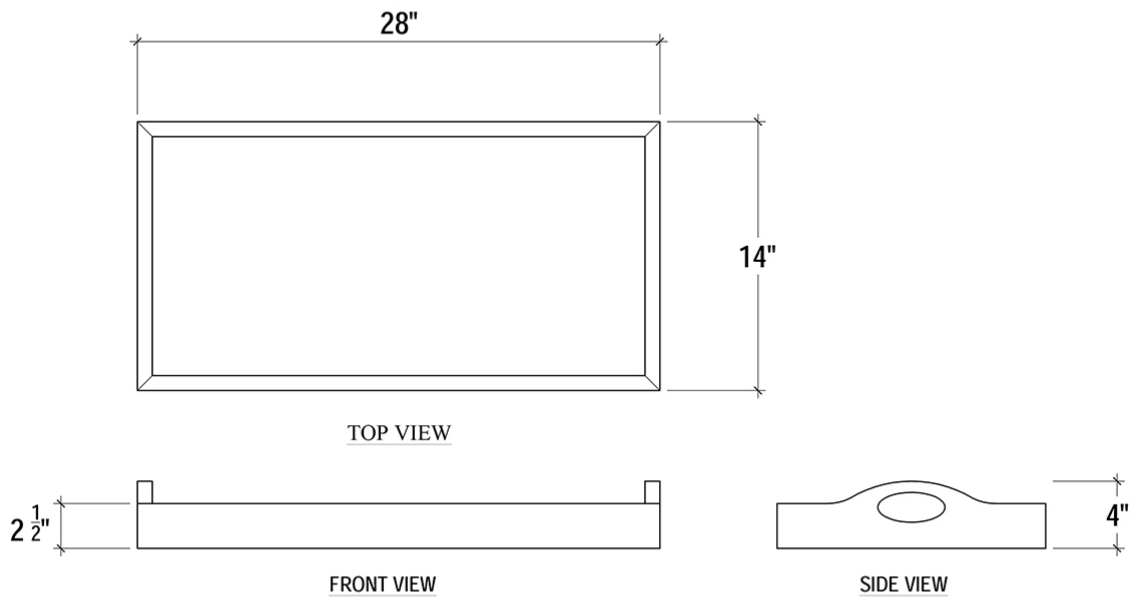
SKU: **25590**

Size: **28W x 14D x 4H in**



Overview

The English Tray captures a quaint vintage-era look and allows convenient service as well as counter display space. With a pair of handle cutouts, its solid mahogany build is both sophisticated and functional. This piece is offered with a vast array of finish and distress options to create a truly custom design.



Visual Highlights

Technical Specification

Dimensions	28W x 14D x 4H in	CBM	0.08
Number of Packages	1	Cubic Feet	2.83 ft³
Package 1 Dimensions	33.1 x 19.7 x 11.4 in	Package 1 Weight	6.61 lbs
Package Weight Total	6.61 lbs	Net Weight	5.51 lbs
Material	Mahogany		

<https://www.brambleco.com/25590>
