

EST. *B* 1991

BRAMBLE

PRODUCT TEARSHEET



# English Candlestick Large

---

Shown in: **STW**

SKU: **26085**

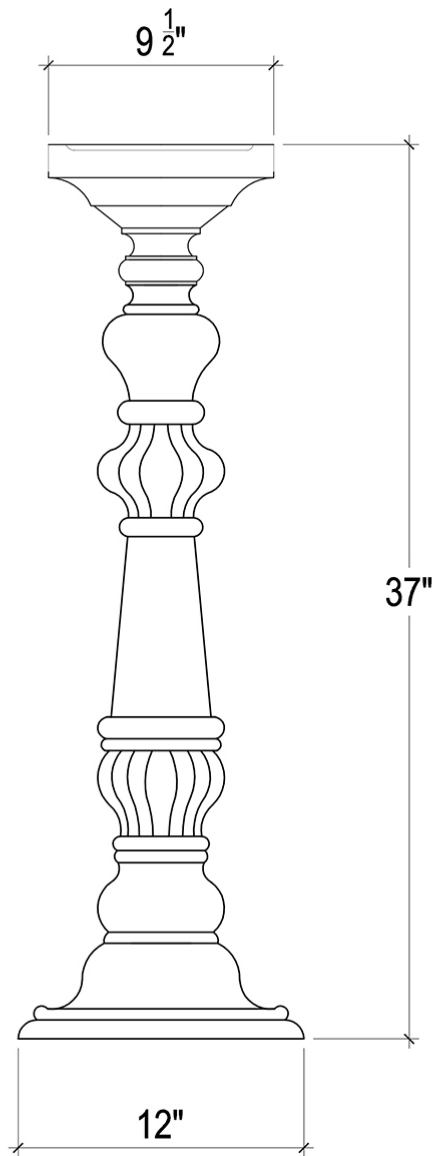
Size: **12W x 12D x 37H in**



## Overview

---

The Large English Candle Stick lends lovely elegance to a traditional mantel or console table. Fashioned from solid mahogany, its gorgeous turned profile brings an artistic touch. This piece is offered with a vast array of finish and distress options to create a truly custom design.



## Visual Highlights

---



## Technical Specification

---

Dimensions	<b>12W x 12D x 37H in</b>	CBM	<b>0.12</b>
Number of Packages	<b>1</b>	Cubic Feet	<b>4.24 ft<sup>3</sup></b>
Package 1 Dimensions	<b>13.4 x 13.4 x 39.8 in</b>	Package 1 Weight	<b>19.84 lbs</b>
Package Weight Total	<b>19.84 lbs</b>	Net Weight	<b>15.43 lbs</b>
Material	<b>Mahogany</b>		

<https://www.brambleco.com/26085>

---