



BRAMBLE

PRODUCT TEARSHEET



# Vannes Round End Table

---

Shown in: **WLT**

SKU: **28374**

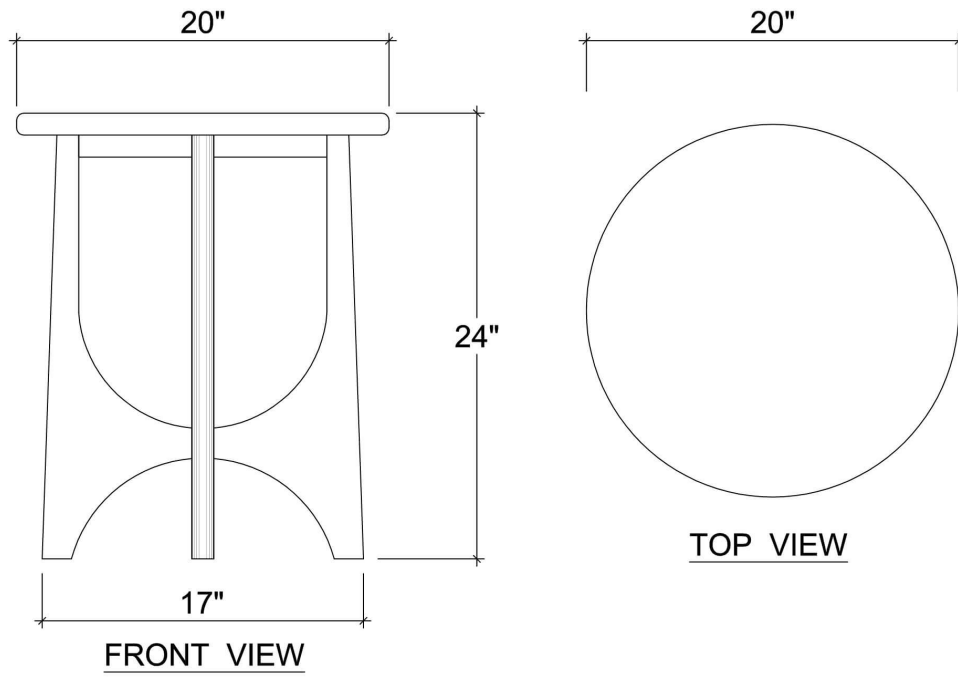
Size: **20W x 20D x 24H in**



## Overview

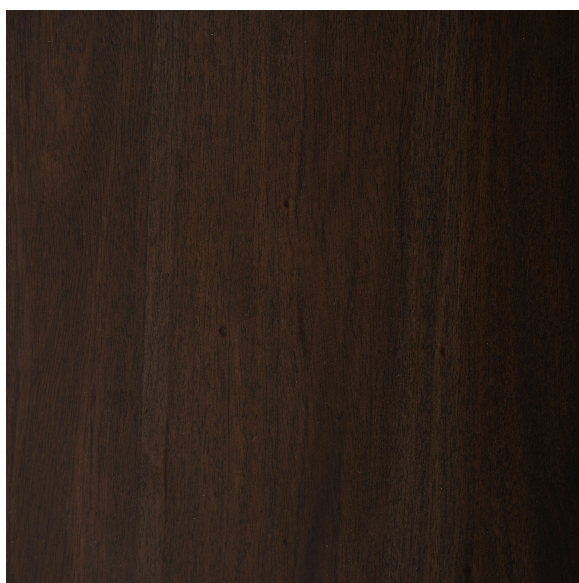
---

Vannes Round End Table



## Visual Highlights

---



## Technical Specification

---

Dimensions	<b>20W x 20D x 24H in</b>	CBM	<b>0.2057</b>
Number of Packages	<b>1</b>	Cubic Feet	<b>7.26 ft<sup>3</sup></b>
Package 1 Dimensions	<b>21.7 x 21.7 x 26.8 in</b>	Package 1 Weight	<b>27.56 lbs</b>
Package Weight Total	<b>27.56 lbs</b>	Net Weight	<b>24.25 lbs</b>

New

<https://www.brambleco.com/28374>

---