



BRAMBLE

PRODUCT TEARSHEET



# Fiona Tray

---

Shown in: **BBA**

SKU: **28307**

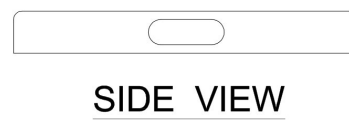
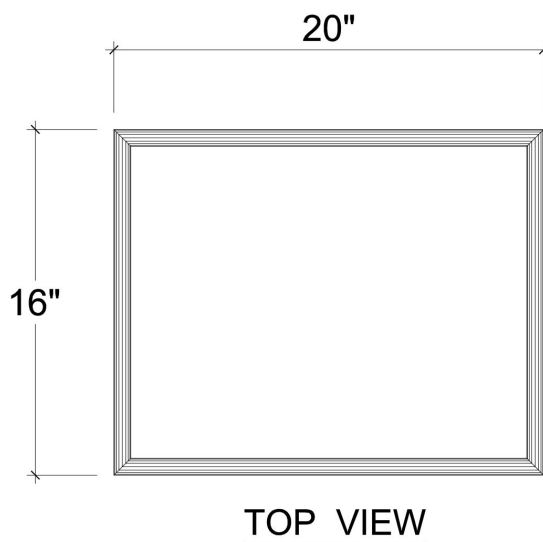
Size: **20W x 16D x 2H in**



## Overview

---

Fiona Tray



## Visual Highlights

---



## Technical Specification

---

Dimensions	<b>20W x 16D x 2H in</b>	CBM	<b>0.02</b>
Number of Packages	<b>1</b>	Cubic Feet	<b>0.71 ft<sup>3</sup></b>
Package 1 Dimensions	<b>17.7 x 3.5 x 22.8 in</b>	Net Weight	<b>4.41 lbs</b>
Package Weight Total	<b>5.51 lbs</b>		

---

<https://www.brambleco.com/28307>

---