

EST. *B* 1991

BRAMBLE

PRODUCT TEARSHEET



# Cholet Bollet Table Lamp

---

Shown in: **BBA LSL191**

SKU: **28314**

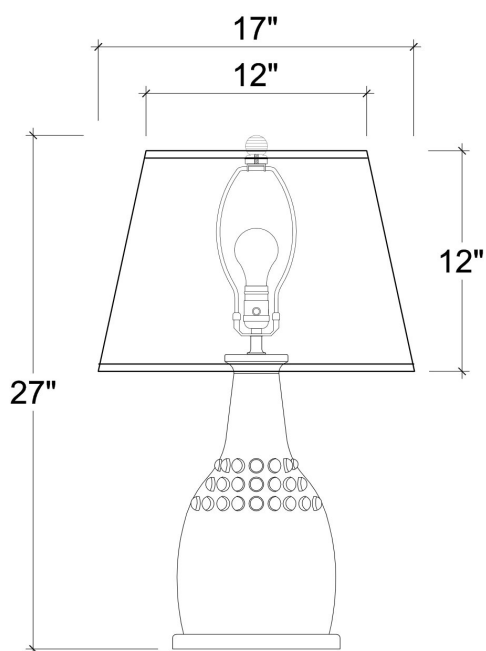
Size: **17W x 17D x 28H in**



## Overview

---

Cholet Bollet Table Lamp



**FRONT VIEW**

## Visual Highlights

---



## Technical Specification

---

Dimensions	<b>17W x 17D x 28H in</b>	CBM	<b>0.17</b>
Number of Packages	<b>1</b>	Cubic Feet	<b>6 ft<sup>3</sup></b>
Package 1 Dimensions	<b>18.5 x 18.5 x 30.7 in</b>	Net Weight	<b>22.05 lbs</b>
Package Weight Total	<b>25.35 lbs</b>		

<https://www.brambleco.com/28314>

---