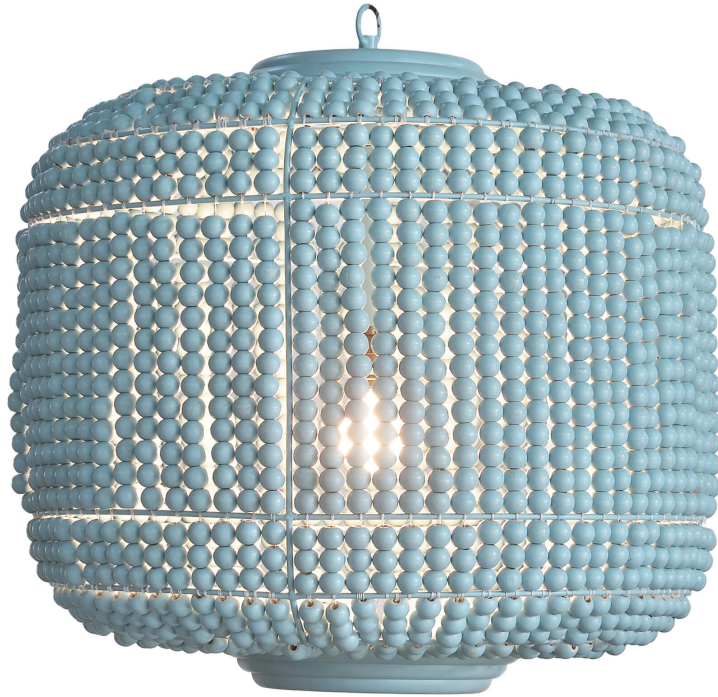


EST. *B* 1991

BRAMBLE

PRODUCT TEARSHEET



# Gracie Pendant

---

Shown in: **OPB**

SKU: **28071**

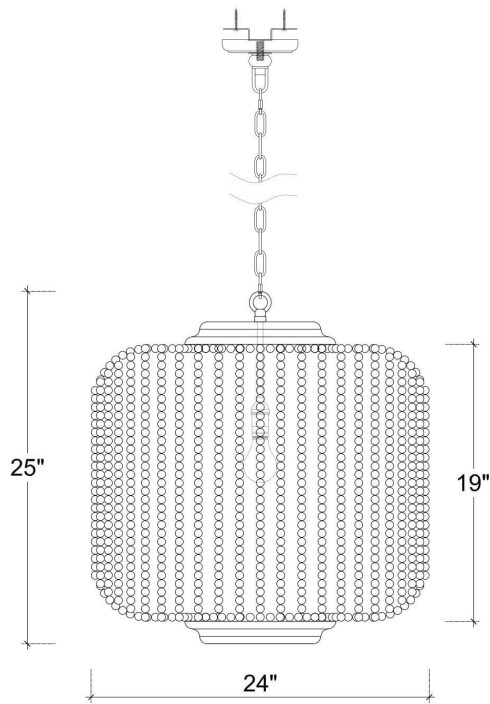
Size: **24W x 24D x 25H in**



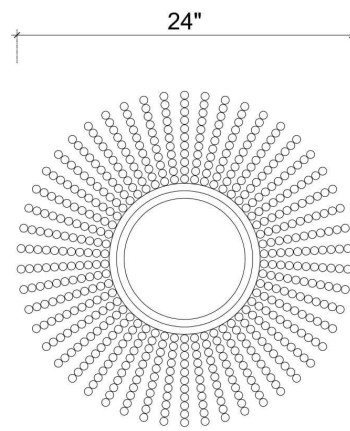
# Overview

---

Gracie Pendant



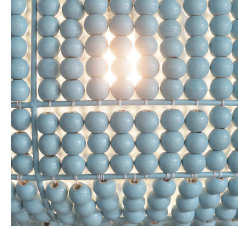
**FRONT VIEW**



**SIDE VIEW**

## Visual Highlights

---



## Technical Specification

---

Dimensions	<b>24W x 24D x 25H in</b>	CBM	<b>0.29</b>
Number of Packages	<b>1</b>	Cubic Feet	<b>10.24 ft<sup>3</sup></b>
Package 1 Dimensions	<b>25.2 x 25.2 x 27.6 in</b>	Package 1 Weight	<b>39.68 lbs</b>
Package Weight Total	<b>39.68 lbs</b>	Net Weight	<b>33.07 lbs</b>
Material	<b>Steel frame with wooden beads</b>		

<https://www.brambleco.com/28071>

---