



BRAMBLE

PRODUCT TEARSHEET



Cohan End Table w/ Rattan

Shown in: **LBU RNAT**

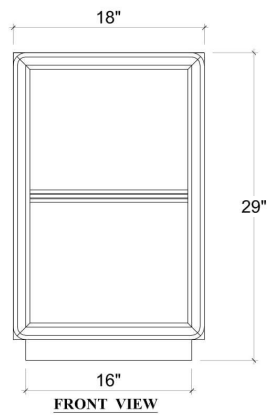
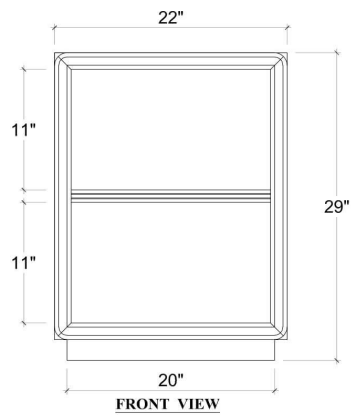
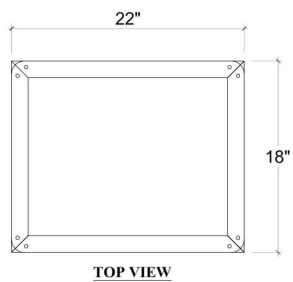
SKU: **28140**

Size: **22W x 18D x 29H in**



Overview

Cohan End Table w/ Rattan



Visual Highlights



Technical Specification

Dimensions	22W x 18D x 29H in	CBM	0.24
Number of Packages	1	Cubic Feet	8.48 ft³
Package 1 Dimensions	23.6 x 19.7 x 31.9 in	Package 1 Weight	33.07 lbs
Package Weight Total	33.07 lbs	Net Weight	26.46 lbs
Material	Mahogany		

<https://www.brambleco.com/28140>
