

EST. *B* 1991

BRAMBLE

PRODUCT TEARSHEET



Cohan Coffee Table Small w/ Rattan

Shown in: **FRW RNAT**

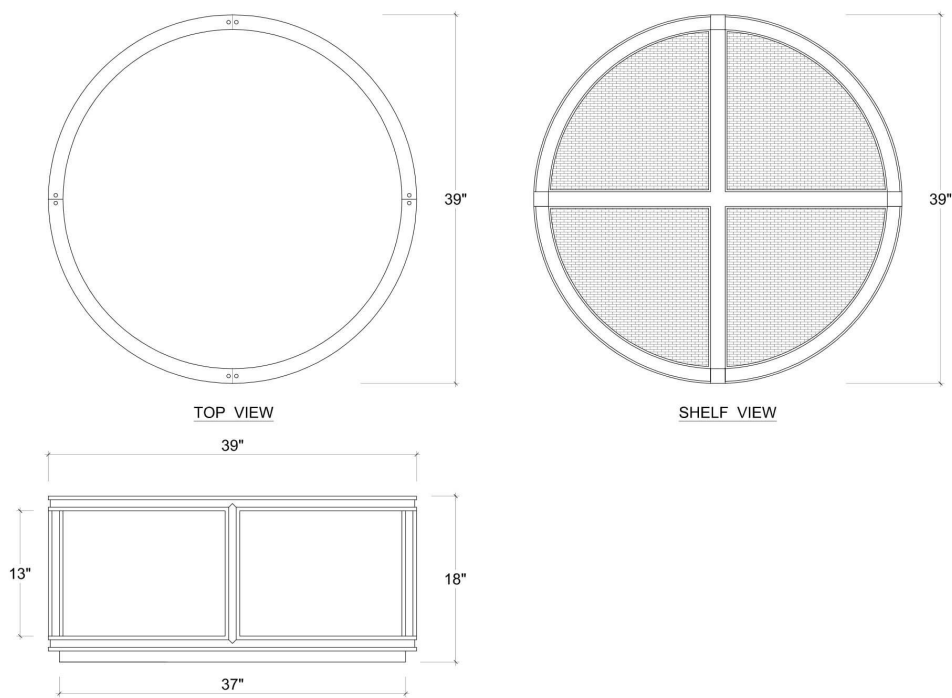
SKU: **28142**

Size: **39W x 39D x 18H in**



Overview

Cohan Coffee Table Small w/ Rattan



Visual Highlights



Technical Specification

Dimensions	39W x 39D x 18H in	CBM	0.57
Number of Packages	1	Cubic Feet	20.13 ft³
Package 1 Dimensions	40.9 x 40.9 x 20.9 in	Package 1 Weight	46.3 lbs
Package Weight Total	45.19 lbs	Net Weight	41.89 lbs
Material	Mahogany		

<https://www.brambleco.com/28142>
