



BRAMBLE

PRODUCT TEARSHEET



# Momo Leather Clad Club Chair

---

Shown in: **FBBL**

SKU: **76653**

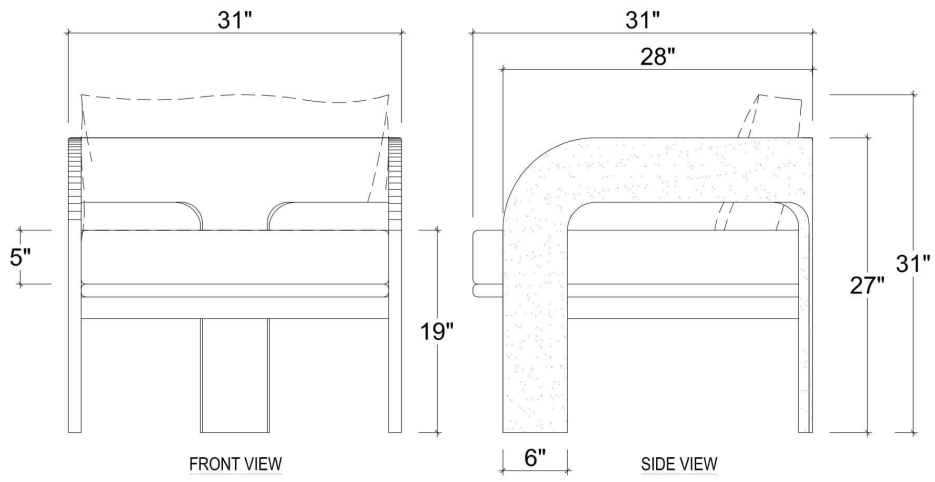
Size: **31W x 31D x 31H in**



## Overview

---

Momo Leather Clad Club Chair



## Visual Highlights

---



## Technical Specification

---

Dimensions	<b>31W x 31D x 31H in</b>	CBM	<b>0.59</b>
Number of Packages	<b>1</b>	Cubic Feet	<b>20.84 ft<sup>3</sup></b>
Package 1 Dimensions	<b>32.3 x 32.7 x 33.9 in</b>	Package 1 Weight	<b>30.86 lbs</b>
Package Weight Total	<b>30.86 lbs</b>	Net Weight	<b>28.66 lbs</b>
Material	<b>Solid mahogany frame. Foam core and poly wrap seat cushion. Leather cover</b>		

---

<https://www.brambleco.com/76653>

---