

EST. *B* 1991

BRAMBLE

PRODUCT TEARSHEET



Momo Club Chair

Shown in: **FRW LL207**

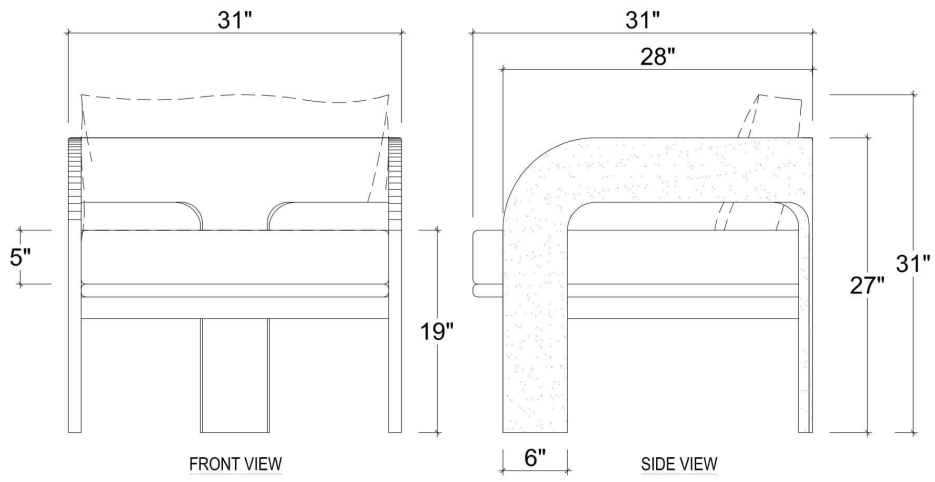
SKU: **76654**

Size: **31W x 31D x 31H in**



Overview

Momo Club Chair



Visual Highlights



Technical Specification

Dimensions	31W x 31D x 31H in	CBM	0.59
Number of Packages	1	Cubic Feet	20.84 ft³
Package 1 Dimensions	32.3 x 32.7 x 33.9 in	Package 1 Weight	26.46 lbs
Package Weight Total	26.46 lbs	Net Weight	22.05 lbs
Material	Solid mahogany frame. Foam core and poly wrap seat cushion. Linen cover		

<https://www.brambleco.com/76654>
