



BRAMBLE

PRODUCT TEARSHEET



Demi-Lune Table w/ Marble Top

Shown in: **GCH**

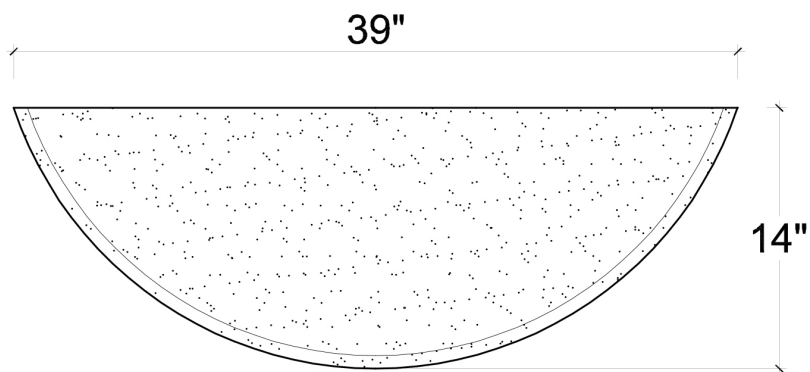
SKU: **27903**

Size: **39W x 14D x 31H in**

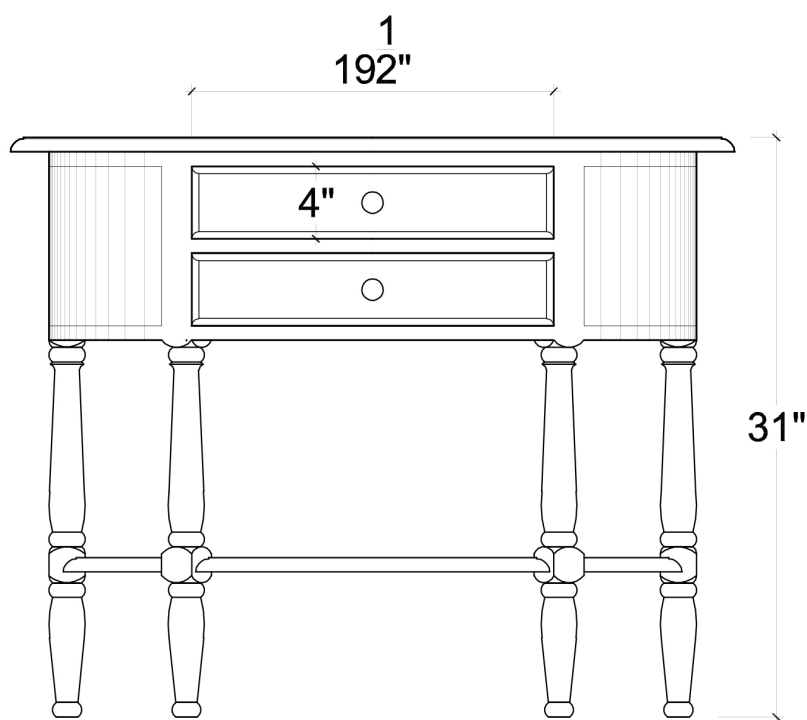


Overview

Demi-Lune Table w/ Marble Top



TOP VIEW



FRONT VIEW

Visual Highlights





Technical Specification

Dimensions	39W x 14D x 31H in	CBM	0.57
Number of Packages	1	Cubic Feet	20.13 ft³
Package 1 Dimensions	42.9 x 35 x 18.9 in	Net Weight	55.12 lbs
Package Weight Total 61.73 lbs			
Material	Mahogany		

<https://www.brambleco.com/27903>
