



BRAMBLE

PRODUCT TEARSHEET



Martin Counter Stool - Teak

Shown in: **TNT**

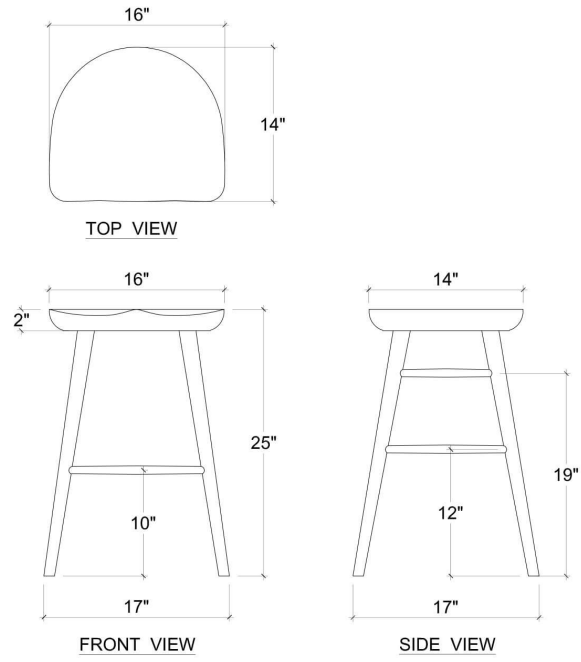
SKU: **85126**

Size: **17W x 17D x 24H in**



Overview

Martin Counter Stool



Visual Highlights



Technical Specification

Dimensions	17W x 17D x 24H in	CBM	0.15
Number of Packages	1	Cubic Feet	5.3 ft³
Package 1 Dimensions	18.9 x 18.9 x 26.4 in	Net Weight	26.46 lbs
Package Weight Total 33.07 lbs			
Material	Teak		

<https://www.brambleco.com/85126>
