

EST. *B* 1991

BRAMBLE

PRODUCT TEARSHEET



Provincial Counter Stool

Shown in: **BHD**

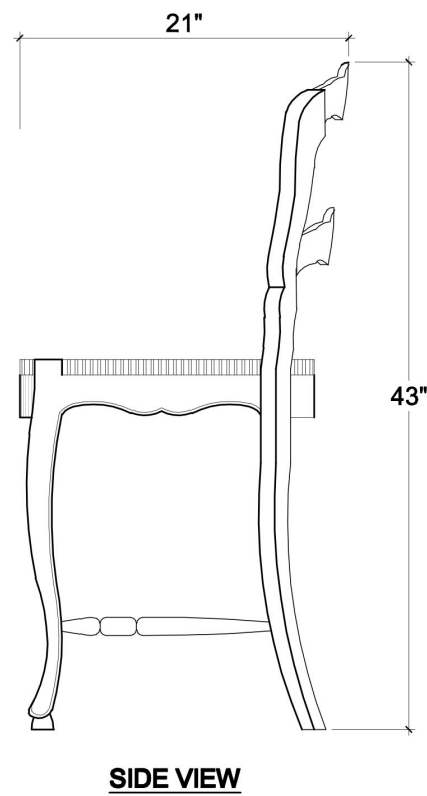
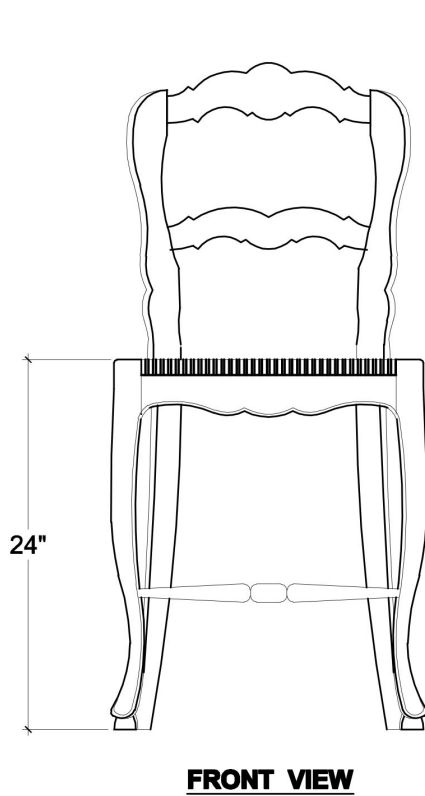
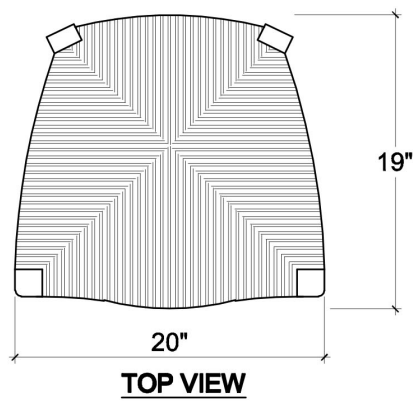
SKU: **27870**

Size: **20W x 21D x 43H in**



Overview

Perfect for the traditional kitchen, the Provincial Counter Stool takes its design inspiration from classic French country. Built in mahogany, with a woven seat, this chair features a wonderful ladder back with curved front legs. This piece is offered with a vast array of finish and distress options to create a truly custom design.



Visual Highlights

Technical Specification

Dimensions	20W x 21D x 43H in	CBM	0.3
Number of Packages	1	Cubic Feet	10.59 ft³
Package 1 Dimensions	23.6 x 24.4 x 52.8 in	Package 1 Weight	25.35 lbs
Package Weight Total	25.35 lbs	Net Weight	19.84 lbs
Material	Mahogany, Rush Seat		

<https://www.brambleco.com/27870>
