



BRAMBLE

PRODUCT TEARSHEET



# Mornington Upholstered & Linen Wrapped Bed

---

Shown in: **76573 (King Bed) TRW SF208 FPBE**

SKU: **76573 / 76598**

Size: **80 - 64W x 85D x 56H in**

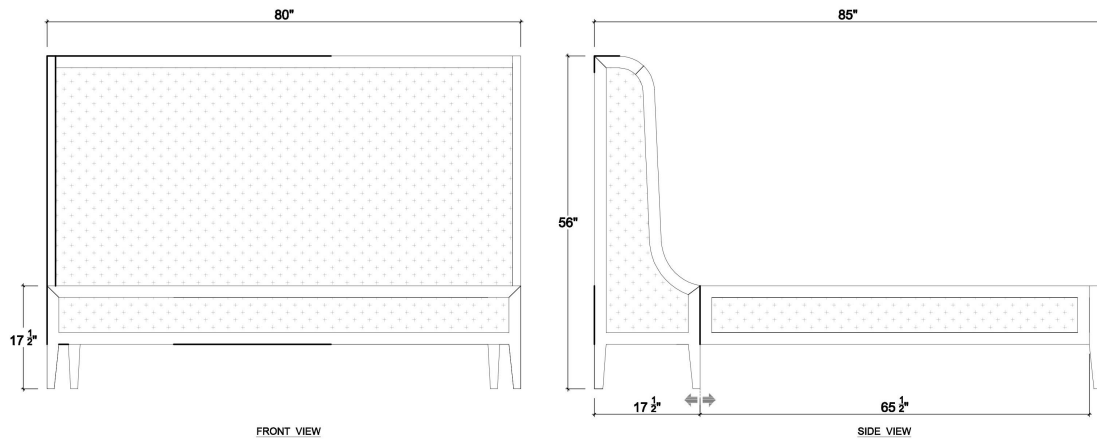


# Overview

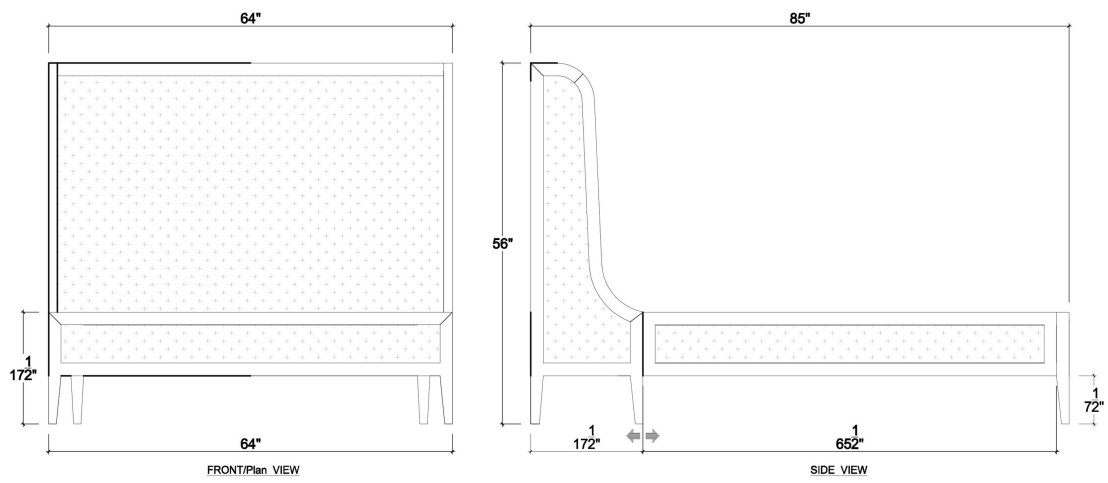
---

## Mornington Bed

76573



76598



## Visual Highlights

---





## Technical Specification

---

Dimensions

**80 -  
64W x 85D x 56H in**

CBM

---

<https://www.brambleco.com/76573-76598>

---

The Bramble Company  
706 25th Street, Brodhead, Wisconsin 53520, USA  
Phone: 608-897-2186, Email: [cs@brambleco.com](mailto:cs@brambleco.com)  
[www.brambleco.com](http://www.brambleco.com)