



BRAMBLE

PRODUCT TEARSHEET



Rutland 3 Drawer Dresser

Shown in: **PUT DRW**

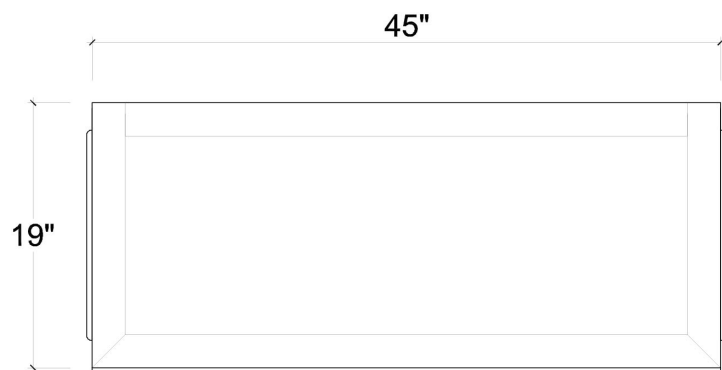
SKU: **76587**

Size: **45W x 19D x 39H in**

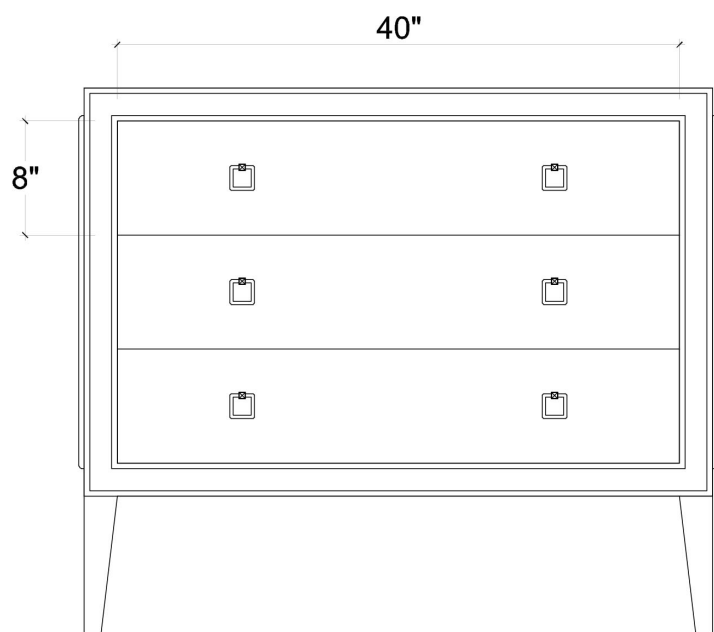


Overview

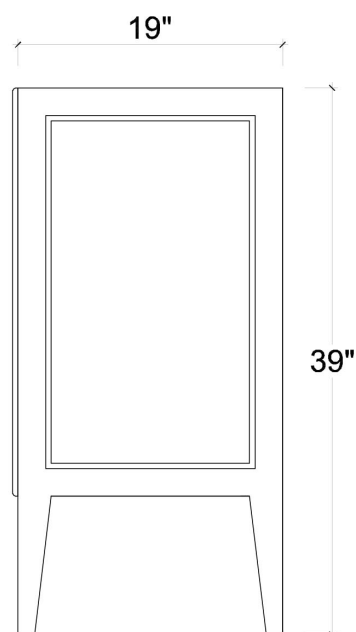
Mornington 3 Drawer Dresser



TOP VIEW

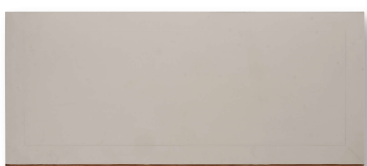


FRONT VIEW



SIDE VIEW

Visual Highlights





Technical Specification

Dimensions	45W x 19D x 39H in	CBM	0.65
Number of Packages	1	Cubic Feet	22.95 ft³
Package 1 Dimensions	46.5 x 20.5 x 42.1 in	Package 1 Weight	116.84 lbs
Package Weight Total	116.84 lbs	Net Weight	105.82 lbs
Material	Mahogany		

<https://www.brambleco.com/76587>
