



BRAMBLE

PRODUCT TEARSHEET



# Mornington Linen Wrapped Nightstand

---

Shown in: **FPBE**

SKU: **76575**

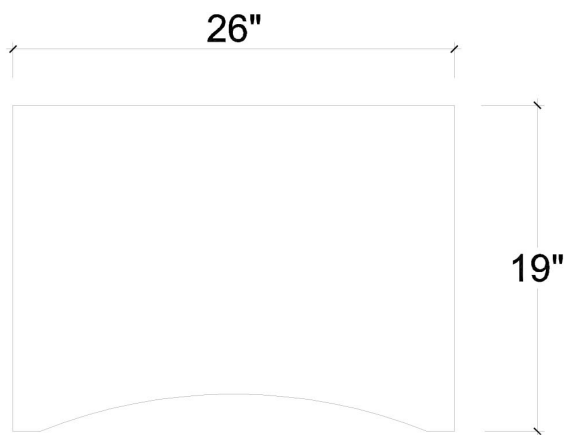
Size: **26W x 19D x 28H in**



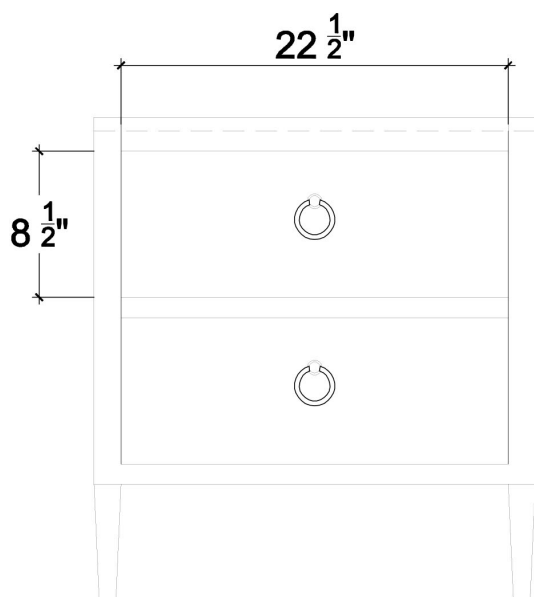
## Overview

---

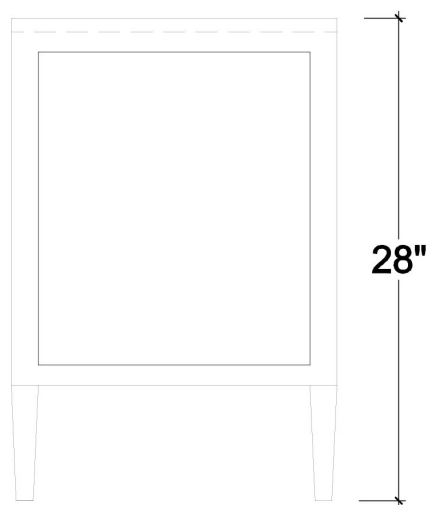
Mornington Nightstand



TOP VIEW



FRONT VIEW



SIDE VIEW

## Visual Highlights

---





## Technical Specification

---

Dimensions	<b>26W x 19D x 28H in</b>	CBM	<b>0.29</b>
Number of Packages	<b>1</b>	Cubic Feet	<b>10.24 ft<sup>3</sup></b>
Package 1 Dimensions	<b>27.2 x 20.9 x 34.6 in</b>	Package 1 Weight	<b>68.34 lbs</b>
Package Weight Total	<b>68.34 lbs</b>	Net Weight	<b>61.73 lbs</b>
Material	<b>Mahogany</b>		

<https://www.brambleco.com/76575>

---