



BRAMBLE

PRODUCT TEARSHEET



# Belgravia 6 Drawer Dresser

---

Shown in: **BBA**

SKU: **76555**

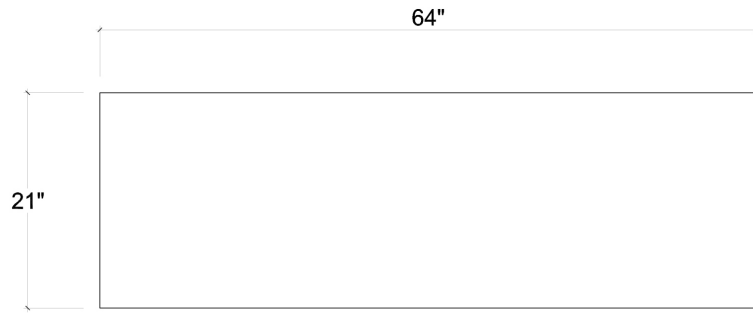
Size: **64W x 21D x 39H in**



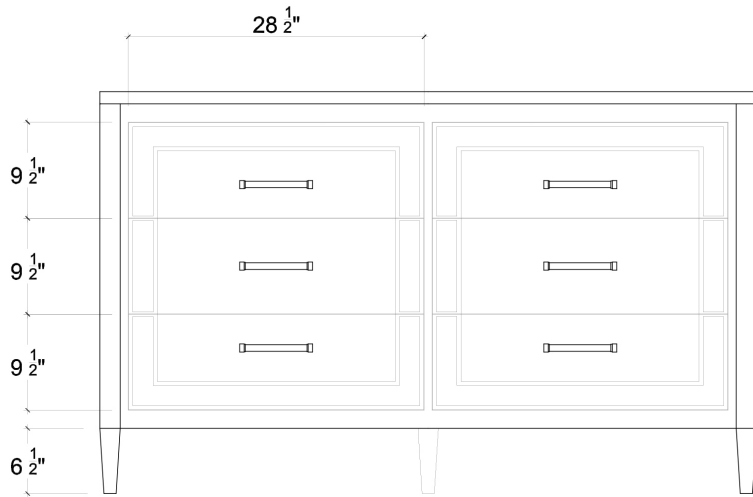
# Overview

---

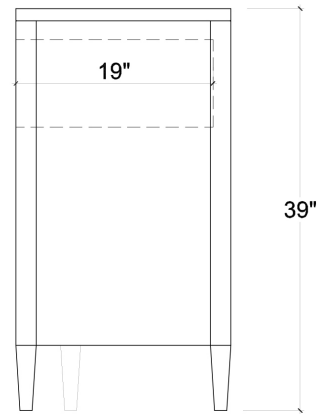
Belgravia 6 Drawer Dresser



TOP VIEW



FRONT VIEW



SIDE VIEW

## Visual Highlights

---





## Technical Specification

---

Dimensions	<b>64W x 21D x 39H in</b>	CBM	<b>1</b>
Number of Packages	<b>1</b>	Cubic Feet	<b>35.32 ft<sup>3</sup></b>
Package 1 Dimensions	<b>65.4 x 22.4 x 41.7 in</b>	Package 1 Weight	<b>229.28 lbs</b>
Package Weight Total	<b>229.28 lbs</b>	Net Weight	<b>213.85 lbs</b>
Material	<b>Mahogany wood, plywood</b>		

<https://www.brambleco.com/76555>

---