



BRAMBLE

PRODUCT TEARSHEET



Archer Dining Table 96"

Shown in: **GYO**

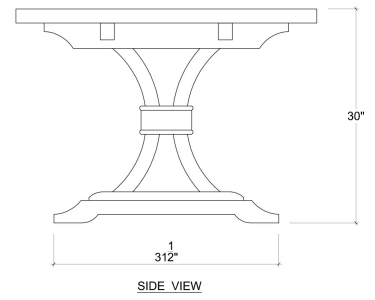
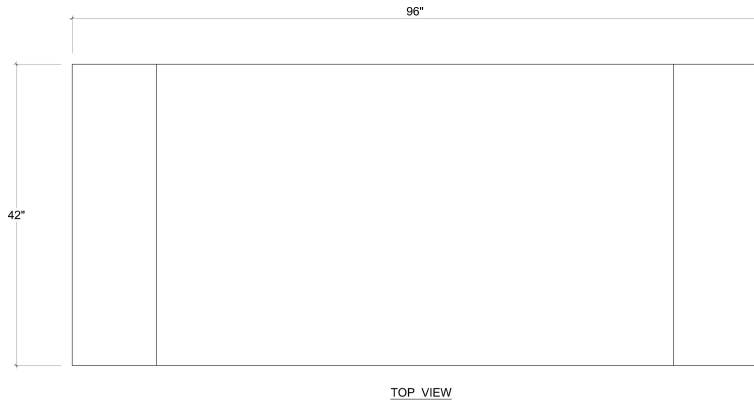
SKU: **27543**

Size: **96W x 42D x 30H in**



Overview

Archer Dining Table 8'



Visual Highlights



Technical Specification

Dimensions	96W x 42D x 30H in	CBM	0.84
Number of Packages	2	Cubic Feet	29.66 ft³
Package 1 Dimensions	97.6 x 43.7 x 8.3 in	Net Weight	271.17 lbs
Package 2 Dimensions	33.1 x 15.7 x 30.7 in		
Package Weight Total	282.19 lbs		
Material	Mahogany		

<https://www.brambleco.com/27543>
