



BRAMBLE

PRODUCT TEARSHEET



Portland Club Chair

Shown in: **BBA LL201**

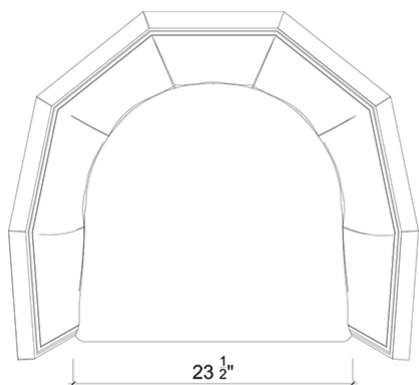
SKU: **76512**

Size: **35W x 28D x 33H in**

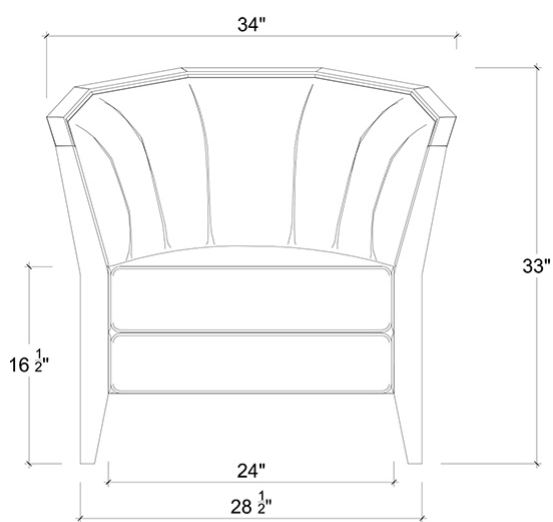


Overview

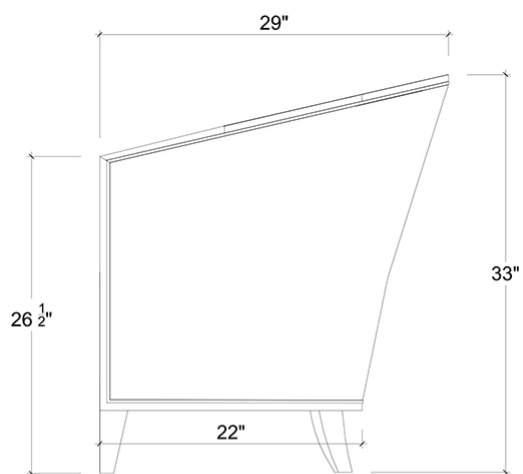
Portland Club Chair



TOP VIEW



FRONT VIEW



SIDE VIEW

Visual Highlights



Technical Specification

Dimensions	35W x 28D x 33H in	CBM	0.64
Number of Packages	1	Cubic Feet	22.6 ft³
Package 1 Dimensions	36.2 x 29.9 x 36.2 in	Net Weight	38.58 lbs
Package 2 Dimensions	13.4 x 6.9 in		
Package Weight Total	74.96 lbs		
Material	Mahogany, Linen		

<https://www.brambleco.com/76512>
