



BRAMBLE

PRODUCT TEARSHEET



# Peg & Dowel Ladder Back Counter Stool w/ Wooden Seat

---

Shown in: **DMB**

SKU: **27656**

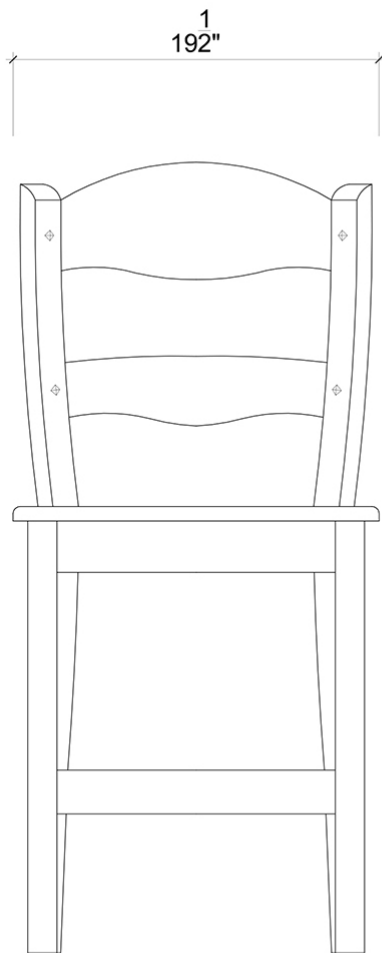
Size: **20W x 22D x 43H in**



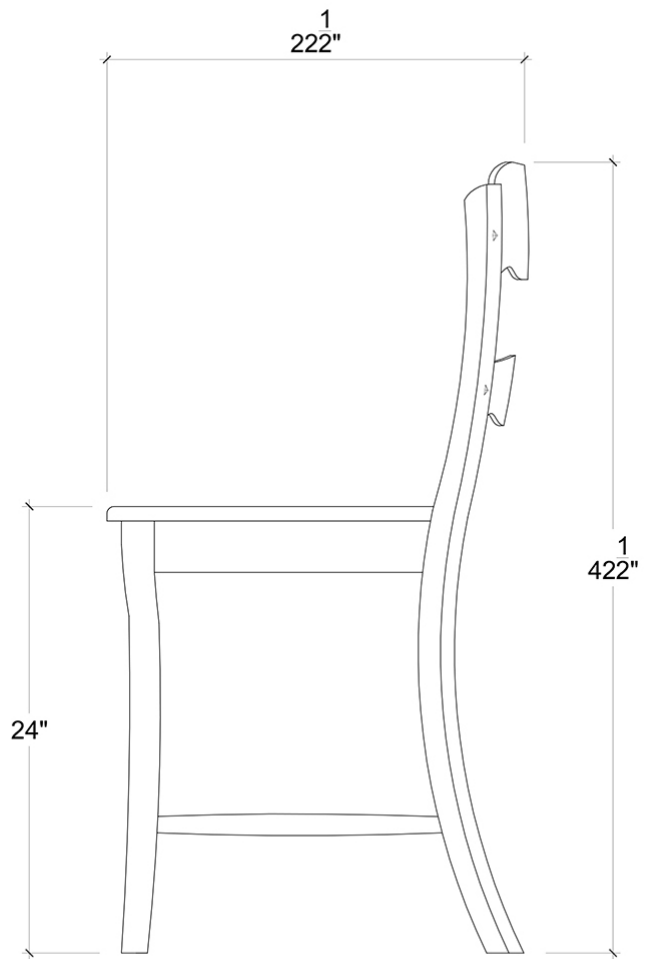
## Overview

---

Peg & Dowel Ladder Back Counter Stool W/ Wooden Seat



FRONT VIEW



SIDE VIEW

## Visual Highlights

---



## Technical Specification

---

Dimensions	<b>20W x 22D x 43H in</b>	CBM	<b>0.29</b>
Number of Packages	<b>1</b>	Cubic Feet	<b>10.24 ft<sup>3</sup></b>
Package 1 Dimensions	<b>21.3 x 23.2 x 45.3 in</b>	Package 1 Weight	<b>30.86 lbs</b>
Package 2 Dimensions	<b>5.5 x 5.5 x 4.7 in</b>	Net Weight	<b>26.46 lbs</b>
Package Weight Total <b>30.86 lbs</b>			
Material	<b>Mahogany</b>		

<https://www.brambleco.com/27656>

---