



BRAMBLE

PRODUCT TEARSHEET



# Summerville Dining Table

---

Shown in: **WHD DRW**

SKU: **27570**

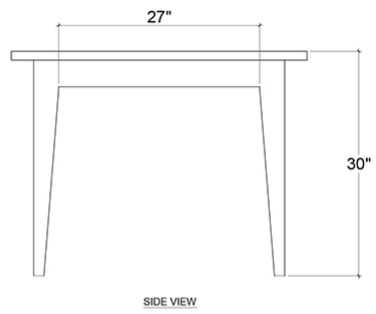
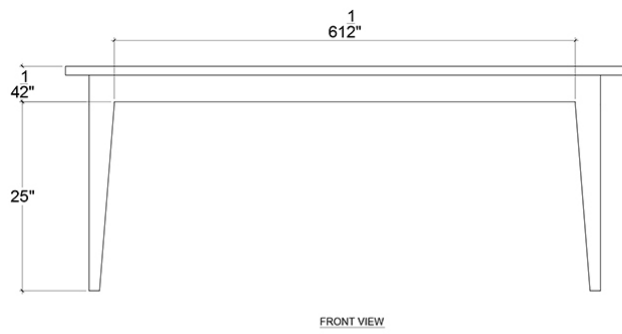
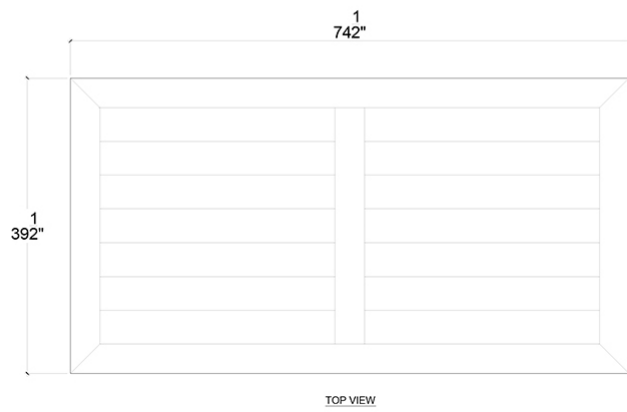
Size: **74W x 39D x 30H in**



# Overview

---

Summerville Dining Table



## Visual Highlights

---



## Technical Specification

---

Dimensions	<b>74W x 39D x 30H in</b>	CBM	<b>0.38</b>
Number of Packages	<b>1</b>	Cubic Feet	<b>13.42 ft<sup>3</sup></b>
Package 1 Dimensions	<b>76 x 31.5 x 7.5 in</b>	Package 1 Weight	<b>112.44 lbs</b>
Package 2 Dimensions	<b>20.1 x 20.1 x 16.9 in</b>	Net Weight	<b>94.8 lbs</b>
Package Weight Total		<b>112.44 lbs</b>	
Material	<b>Mahogany</b>		

<https://www.brambleco.com/27570>

---