

EST. *B* 1991

BRAMBLE

PRODUCT TEARSHEET



# Trestle Round Dining Table 60" w/o Grooves

---

Shown in: **CCA**

SKU: **66408**

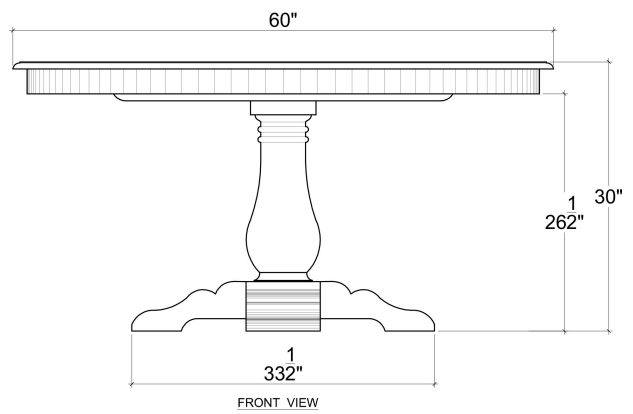
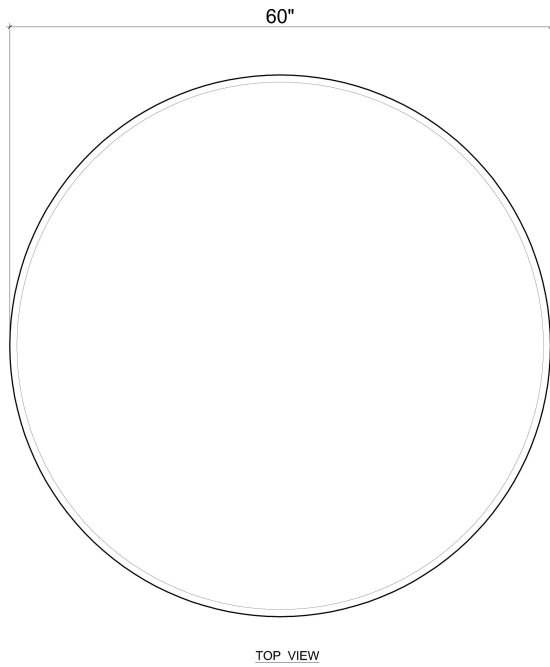
Size: **60W x 60D x 30H in**



## Overview

---

Trestle 5' Round Dining Table without Groove



## **Visual Highlights**

---



## Technical Specification

---

Dimensions	<b>60W x 60D x 30H in</b>	CBM	<b>1.03</b>
Number of Packages	<b>2</b>	Cubic Feet	<b>36.37 ft<sup>3</sup></b>
Package 1 Dimensions	<b>35.4 x 35.4 x 30.7 in</b>	Net Weight	<b>187.39 lbs</b>
Package 2 Dimensions	<b>61.8 x 61.8 x 6.3 in</b>		
Package Weight Total	<b>198.42 lbs</b>		
Material	<b>Mahogany</b>		

<https://www.brambleco.com/66408>

---