

EST. *B* 1991

BRAMBLE

PRODUCT TEARSHEET



Arcata Iron Table Lamp

Shown in: **MID LSL191**

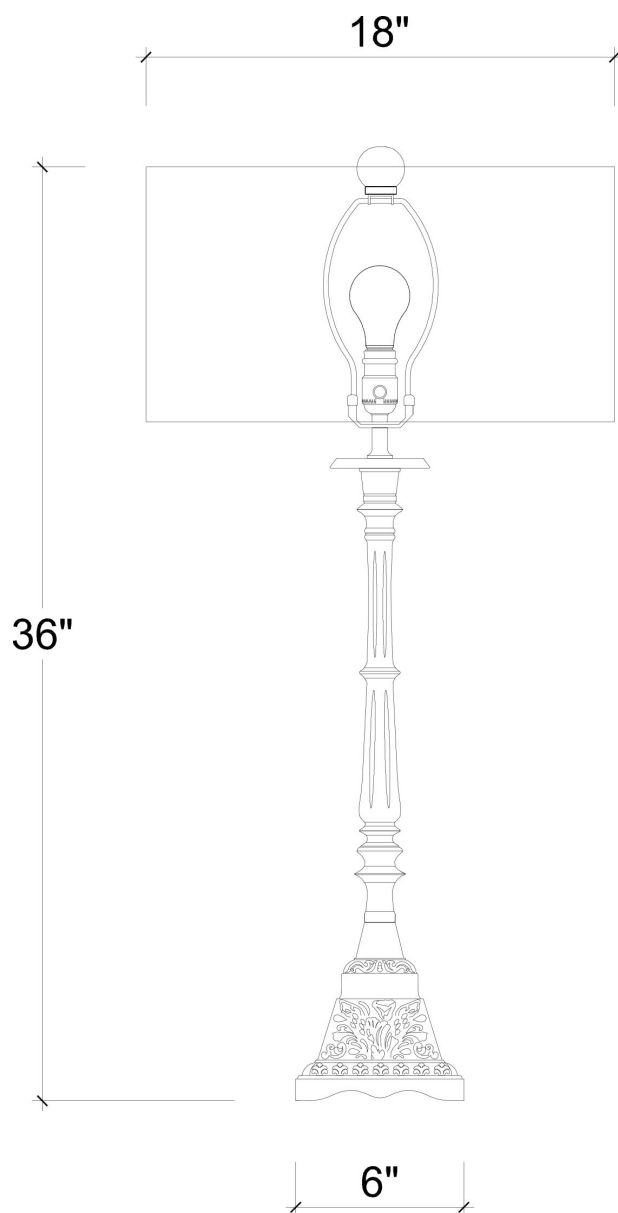
SKU: **27508**

Size: **22W x 22D x 35H in**



Overview

Arcata Iron Table Lamp



Visual Highlights

Technical Specification

Dimensions	22W x 22D x 35H in	CBM	0.1
Number of Packages	2	Cubic Feet	3.53 ft³
Package 1 Dimensions	8.3 x 8.3 x 29.1 in	Package 1 Weight	19.84 lbs
Package 2 Dimensions	17.3 x 17.3 x 13 in	Package 2 Weight	2.2 lbs
Package Weight Total	22.05 lbs	Net Weight	17.64 lbs
Material	Steel, Linen		

<https://www.brambleco.com/27508>
