



BRAMBLE

PRODUCT TEARSHEET



Wright Chair

Shown in: **BKY**

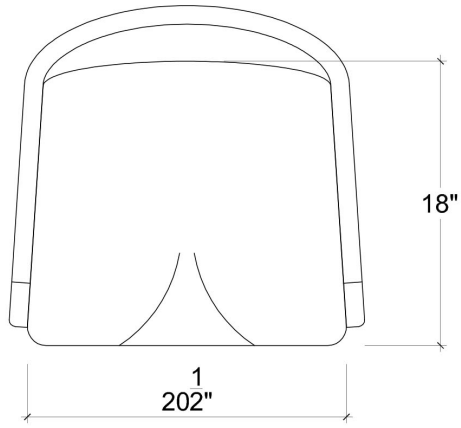
SKU: **27490**

Size: **23W x 23D x 30H in**

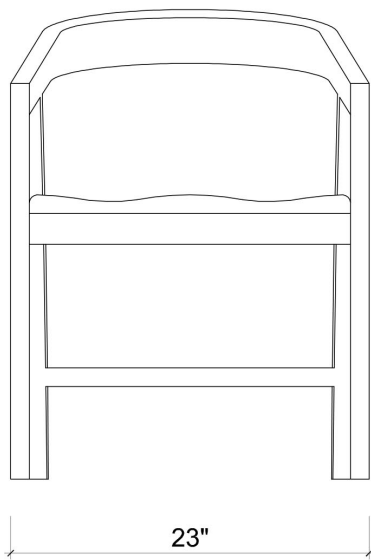


Overview

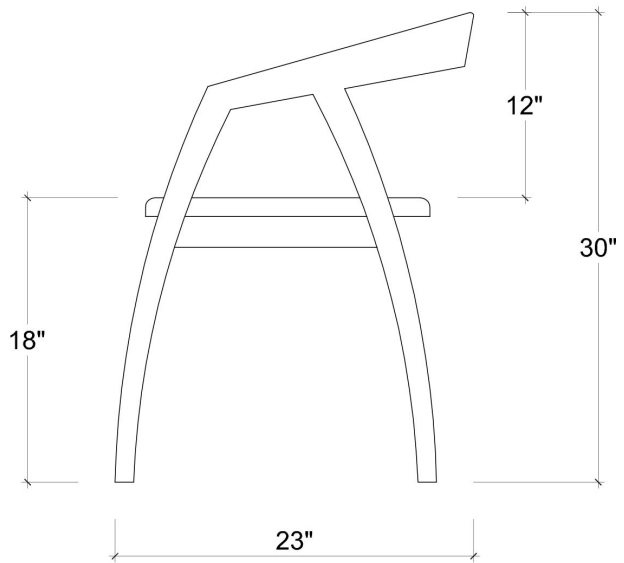
Wright Chair



TOP VIEW



FRONT VIEW



SIDE VIEW

Visual Highlights



Technical Specification

Dimensions	23W x 23D x 30H in	CBM	0.26
Number of Packages	1	Cubic Feet	9.18 ft³
Package 1 Dimensions	24.4 x 24.4 x 33.9 in	Package 1 Weight	19.84 lbs
Package Weight Total	19.84 lbs	Net Weight	17.64 lbs
Material	Mahogany		

<https://www.brambleco.com/27490>
