

EST. *B* 1991

BRAMBLE

PRODUCT TEARSHEET



# Carrington Single Vanity w/ Sink & Marble top

---

Shown in: **SNW**

SKU: **27448**

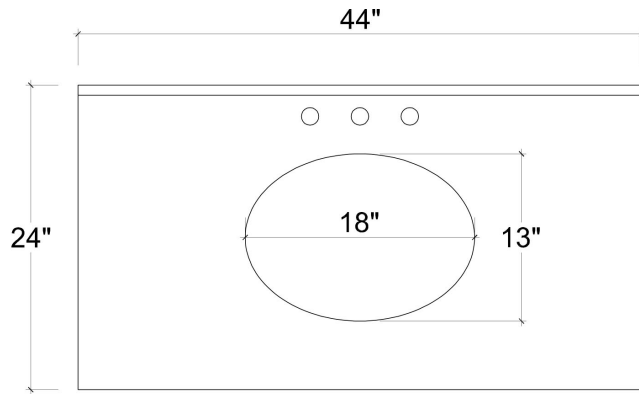
Size: **44W x 24D x 37H in**



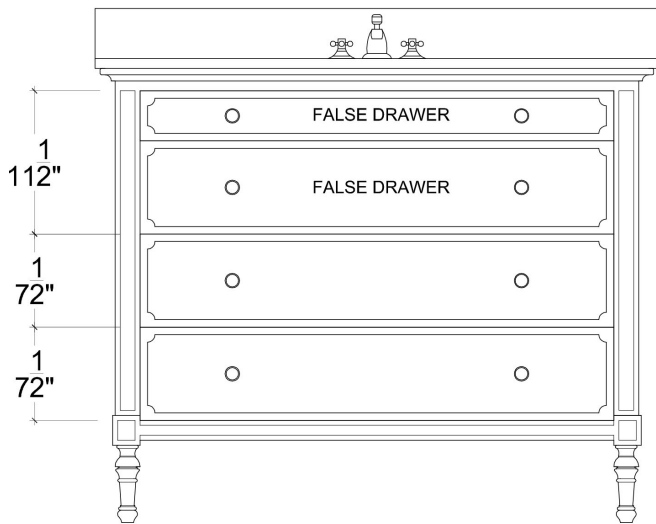
# Overview

---

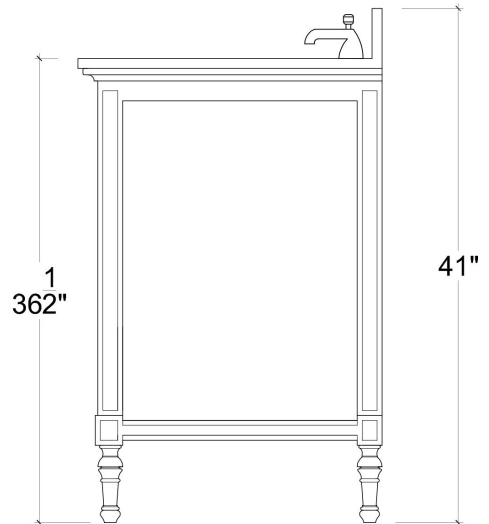
## Carrington Single Vanity



TOP VIEW



FRONT VIEW



SIDE VIEW

## Visual Highlights

---



## Technical Specification

---

Dimensions	<b>44W x 24D x 37H in</b>	CBM	<b>1.16</b>
Number of Packages	<b>1</b>	Cubic Feet	<b>40.97 ft<sup>3</sup></b>
Package 1 Dimensions	<b>48.4 x 28 x 41.7 in</b>	Package 1 Weight	<b>178.57 lbs</b>
Package Weight Total	<b>178.57 lbs</b>	Net Weight	<b>158.73 lbs</b>
Material	<b>Mahogany, Marble</b>		

<https://www.brambleco.com/27448>

---