



BRAMBLE

PRODUCT TEARSHEET



# Urban Round Nesting Tables

---

Shown in: **MID BLW**

SKU: **27408**

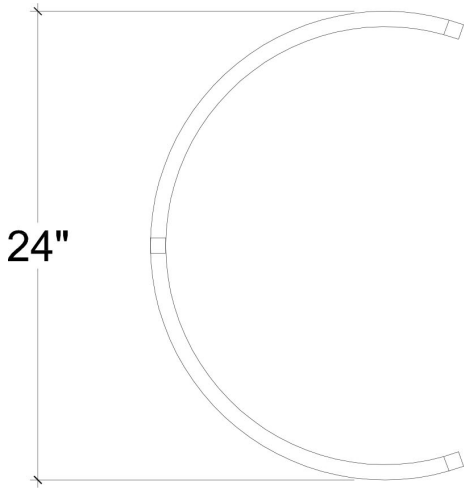
Size: **24W x 24D x 20H in**



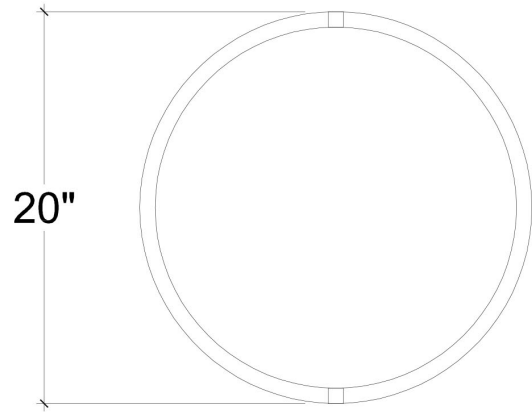
# Overview

---

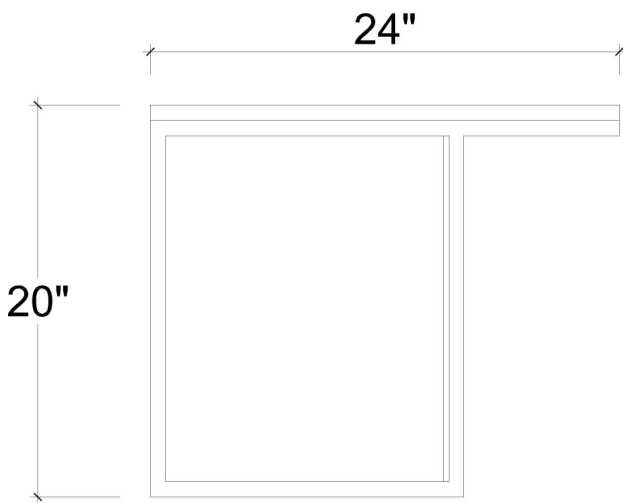
Urban Round Nesting Tables



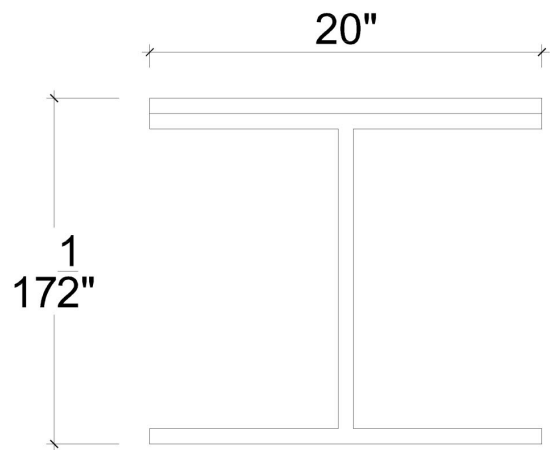
TOP VIEW



TOP VIEW



FRONT VIEW



FRONT VIEW

## Visual Highlights

---



## Technical Specification

---

Dimensions	<b>24W x 24D x 20H in</b>	CBM	<b>0.25</b>
Number of Packages	<b>1</b>	Cubic Feet	<b>8.83 ft<sup>3</sup></b>
Package 1 Dimensions	<b>25.6 x 25.6 x 22.8 in</b>	Package 1 Weight	<b>30.86 lbs</b>
Package Weight Total	<b>30.86 lbs</b>	Net Weight	<b>24.25 lbs</b>
Material	<b>Rubber Wood, Steel</b>		

<https://www.brambleco.com/27408>

---