



BRAMBLE

PRODUCT TEARSHEET



Summerset Barstool

Shown in: **WOB**

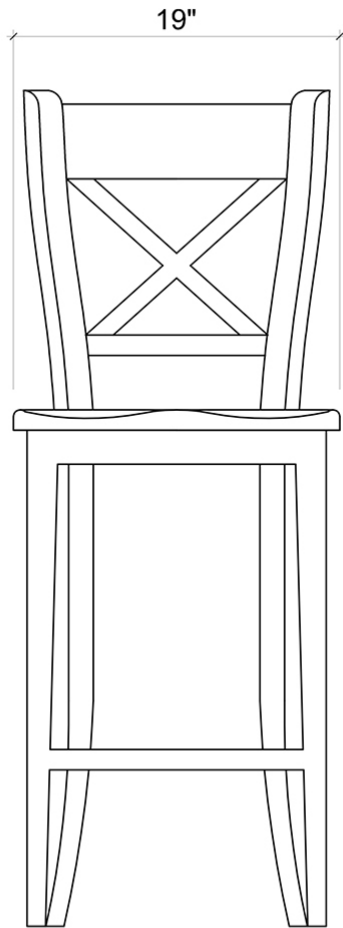
SKU: **27296**

Size: **19W x 21D x 48H in**

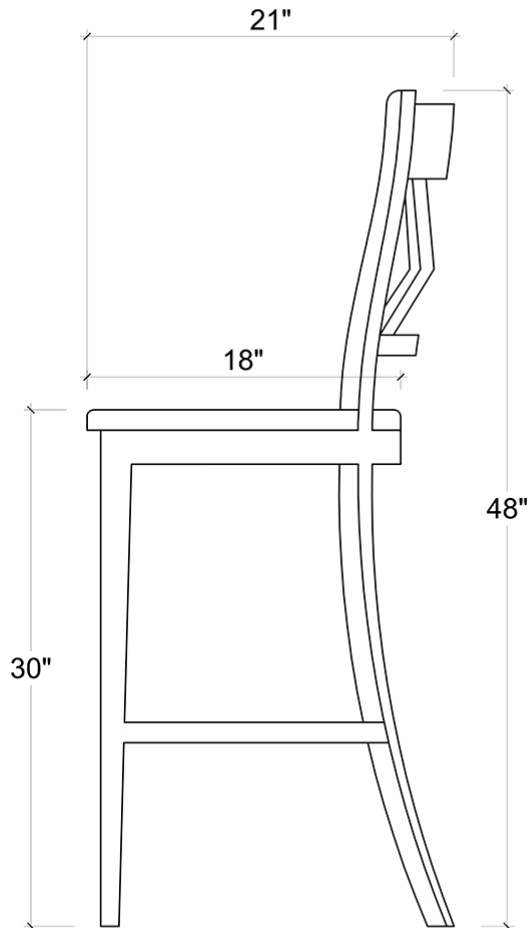


Overview

Summerset Barstool



FRONT VIEW



SIDE VIEW

Visual Highlights



Technical Specification

Dimensions	19W x 21D x 48H in	CBM	0.39
Number of Packages	1	Cubic Feet	13.77 ft³
Package 1 Dimensions	20.5 x 22.8 x 51.2 in	Package 1 Weight	46.3 lbs
Package Weight Total	46.3 lbs	Net Weight	39.68 lbs
Material	Mahogany		

<https://www.brambleco.com/27296>
