

EST. *B* 1991

BRAMBLE

PRODUCT TEARSHEET



# Grosvenor End Table

---

Shown in: **GYO**

SKU: **76463**

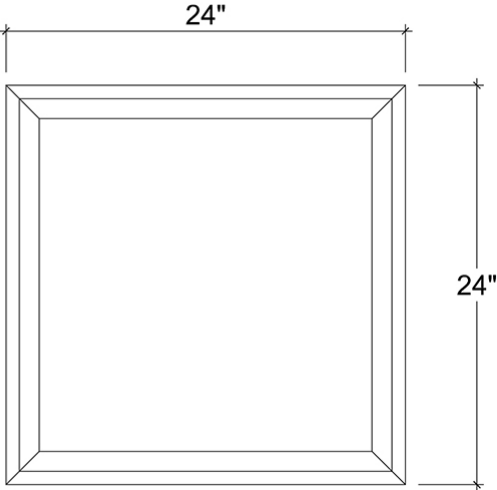
Size: **24W x 24D x 25H in**



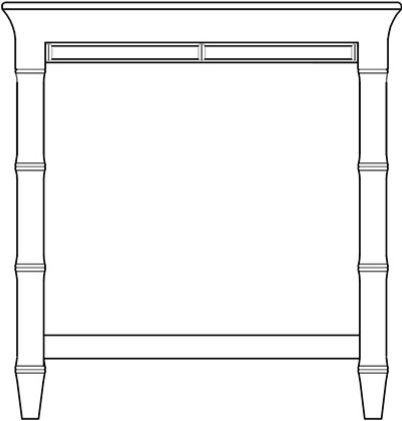
# Overview

---

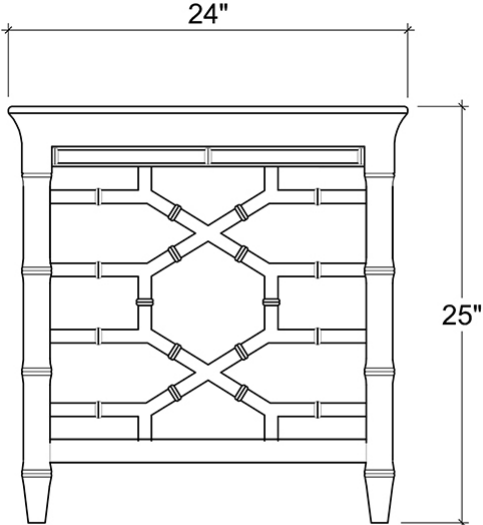
Grosvenor End Table



TOP VIEW



FRONT VIEW



SIDE VIEW

## Visual Highlights

---



## Technical Specification

---

Dimensions	<b>24W x 24D x 25H in</b>	CBM	<b>0.29</b>
Number of Packages	<b>1</b>	Cubic Feet	<b>10.24 ft<sup>3</sup></b>
Package 1 Dimensions	<b>26.8 x 26.8 x 30.3 in</b>	Package 1 Weight	<b>48.5 lbs</b>
Package Weight Total	<b>48.5 lbs</b>	Net Weight	<b>37.48 lbs</b>
Material	<b>Mahogany</b>		

<https://www.brambleco.com/76463>

---