

EST. *B* 1991

BRAMBLE

PRODUCT TEARSHEET



# Grosvenor Credenza

---

Shown in: **MAR**

SKU: **76423**

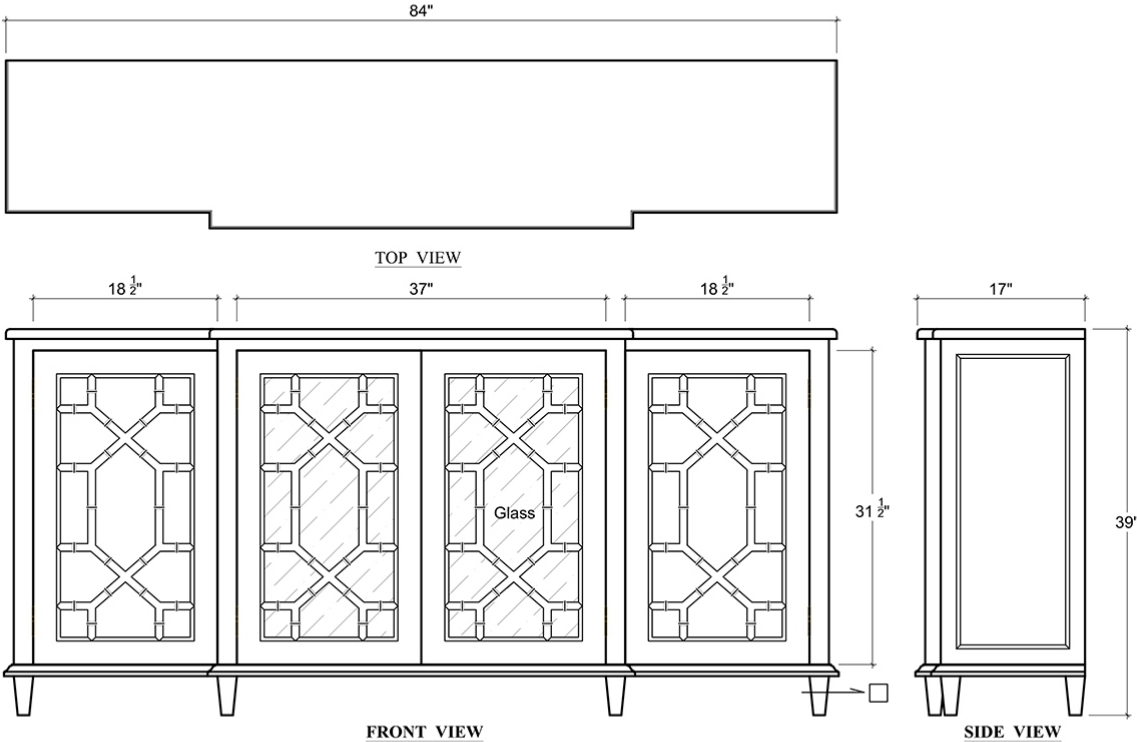
Size: **84W x 17D x 39H in**



# Overview

---

Grosvenor Credenza



## Visual Highlights

---



## Technical Specification

---

Dimensions	<b>84W x 17D x 39H in</b>	CBM	<b>1.08</b>
Number of Packages	<b>1</b>	Cubic Feet	<b>38.14 ft<sup>3</sup></b>
Package 1 Dimensions	<b>87 x 20.1 x 44.5 in</b>	Package 1 Weight	<b>145.5 lbs</b>
Package Weight Total	<b>145.5 lbs</b>	Net Weight	<b>125.66 lbs</b>
Material	<b>Mahogany</b>		

<https://www.brambleco.com/76423>

---