



BRAMBLE

PRODUCT TEARSHEET



Summerset Chair

Shown in: **DRW**

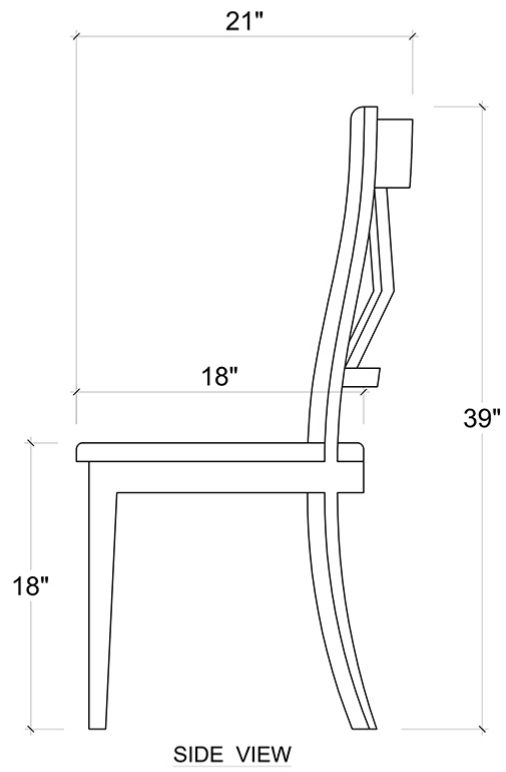
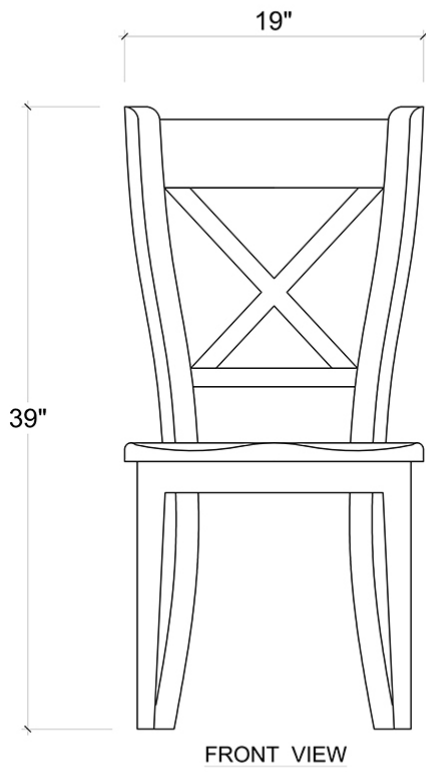
SKU: **27206**

Size: **19W x 21D x 39H in**



Overview

Summerset Chair



Visual Highlights





Technical Specification

Dimensions	19W x 21D x 39H in	CBM	0.19
Number of Packages	1	Cubic Feet	6.71 ft³
Package 1 Dimensions	20.5 x 22.8 x 42.1 in	Package 1 Weight	19.84 lbs
Package Weight Total	19.84 lbs	Net Weight	16.76 lbs
Material	Mahogany		

<https://www.brambleco.com/27206>
