

EST. *B* 1991

BRAMBLE

PRODUCT TEARSHEET



# Tibet

---

Shown in: **BBA**

SKU: **27200**

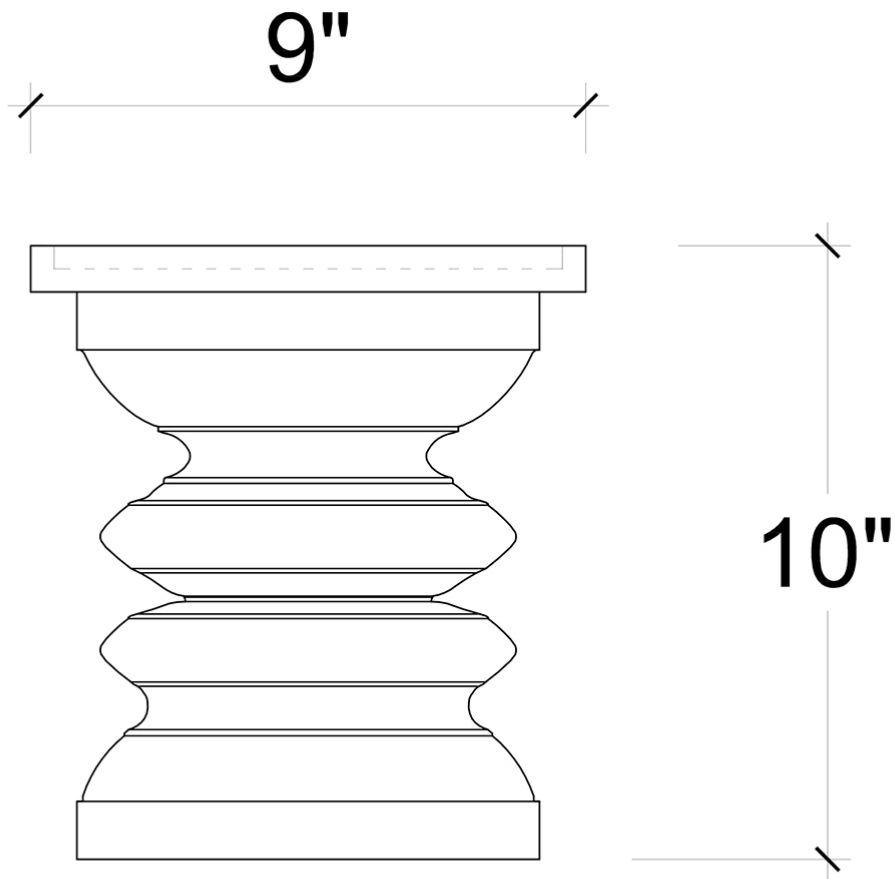
Size: **9W x 9D x 11H in**



## Overview

---

Tibet



# FRONT VIEW

---

## Visual Highlights

---



## Technical Specification

---

Dimensions	<b>9W x 9D x 11H in</b>	CBM	<b>0.03</b>
Number of Packages	<b>1</b>	Cubic Feet	<b>1.06 ft<sup>3</sup></b>
Package 1 Dimensions	<b>12.6 x 12.6 x 16.1 in</b>	Package 1 Weight	<b>14.33 lbs</b>
Package Weight Total	<b>14.33 lbs</b>	Net Weight	<b>13.23 lbs</b>
Material	<b>Mahogany</b>		

<https://www.brambleco.com/27200>

---