



BRAMBLE

PRODUCT TEARSHEET



St. James Dresser

Shown in: **WCH**

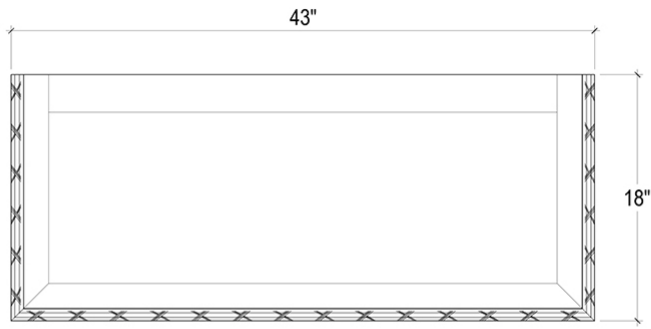
SKU: **26799**

Size: **43W x 18D x 35H in**

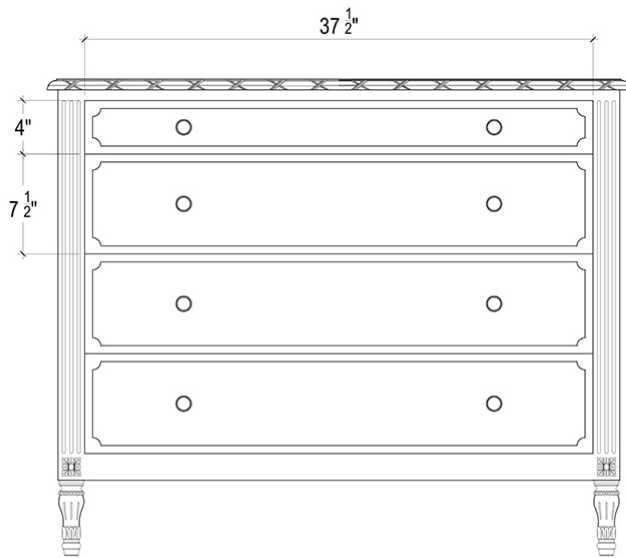


Overview

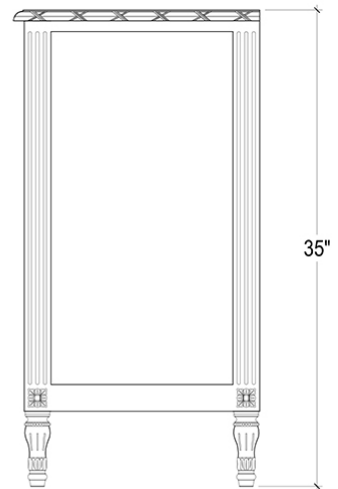
St. James Dresser



TOP VIEW



FRONT VIEW



SIDE VIEW

Visual Highlights



Technical Specification

Dimensions	43W x 18D x 35H in	CBM	0.55
Number of Packages	1	Cubic Feet	19.42 ft³
Package 1 Dimensions	46.1 x 21.3 x 40.9 in	Package 1 Weight	116.84 lbs
Package Weight Total	116.84 lbs	Net Weight	110.23 lbs
Material	Mahogany	Best Seller	

<https://www.brambleco.com/26799>
