

EST. *B* 1991

BRAMBLE

PRODUCT TEARSHEET



Drake Round Pedestal Table w/o Routed Top 60"

Shown in: **CCA**

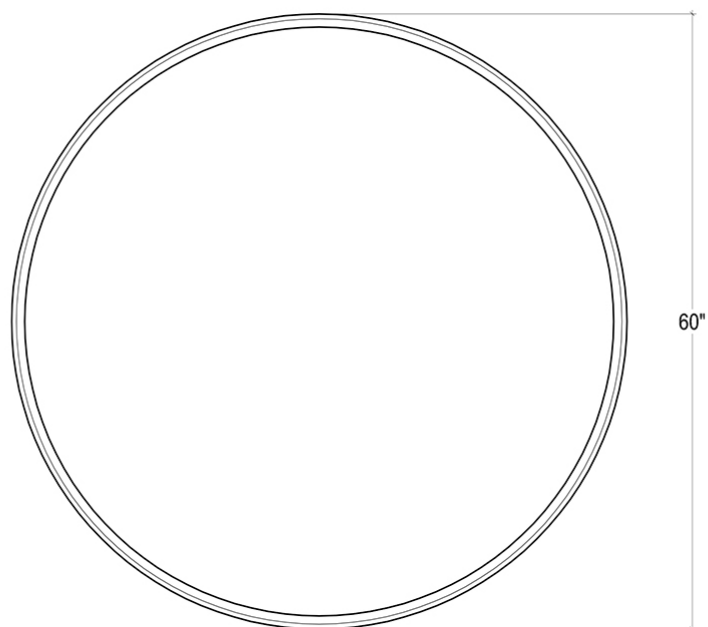
SKU: **64270**

Size: **60W x 60D x 30H in**

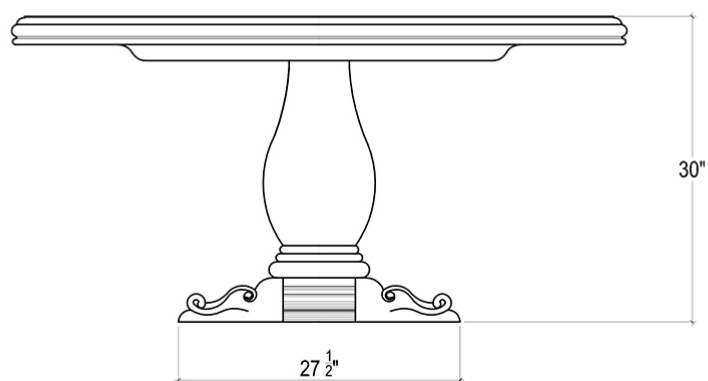


Overview

Drake 5' Round Pedestal Table



TOP VIEW



FRONT VIEW

Visual Highlights



Technical Specification

Dimensions	60W x 60D x 30H in	CBM	0.77
Number of Packages	2	Cubic Feet	27.19 ft³
Package 1 Dimensions	63.4 x 63.4 x 8.3 in	Package 1 Weight	79.15 lbs
Package 2 Dimensions	30.7 x 30.7 x 33.5 in	Package 2 Weight	75.18 lbs
Package Weight Total	154.32 lbs	Net Weight	136.69 lbs
Material	Mahogany	Best Seller	

<https://www.brambleco.com/64270>
