

EST. *B* 1991

BRAMBLE

PRODUCT TEARSHEET



# Goucho Round Dining Table 48"

---

Shown in: **STW**

SKU: **75695**

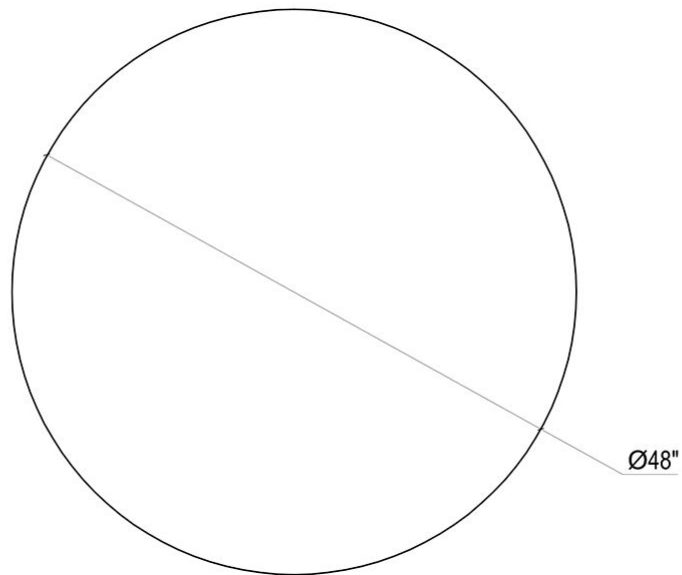
Size: **48W x 48D x 30H in**



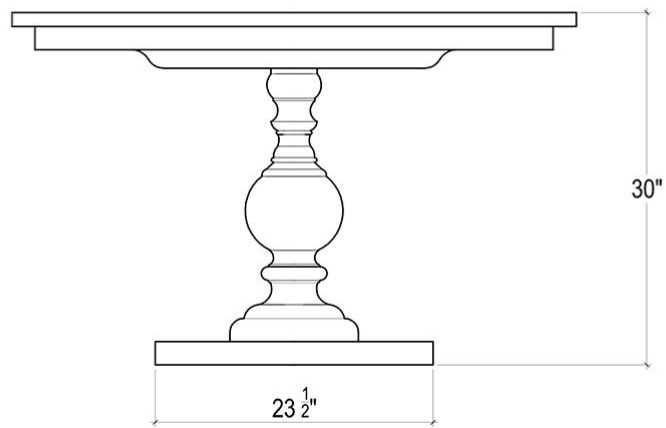
## Overview

---

Goucho Round Table 4'



TOP VIEW



FRONT VIEW

## Visual Highlights

---



## Technical Specification

---

Dimensions	<b>48W x 48D x 30H in</b>	CBM	<b>0.55</b>
Number of Packages	<b>2</b>	Cubic Feet	<b>19.42 ft<sup>3</sup></b>
Package 1 Dimensions	<b>51.2 x 51.2 x 8.7 in</b>	Package 1 Weight	<b>49.6 lbs</b>
Package 2 Dimensions	<b>26.8 x 26.8 x 33.1 in</b>	Package 2 Weight	<b>51.81 lbs</b>
Package Weight Total	<b>101.41 lbs</b>	Net Weight	<b>88.18 lbs</b>
Material	<b>Mahogany</b>		

<https://www.brambleco.com/75695>

---