

EST. *B* 1991

BRAMBLE

PRODUCT TEARSHEET



Dauphine Dresser

Shown in: **WHD**

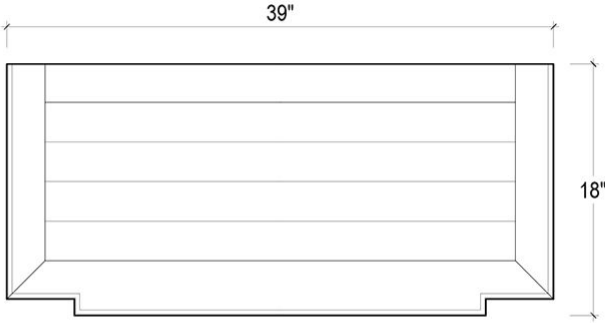
SKU: **75461**

Size: **39W x 18D x 39H in**

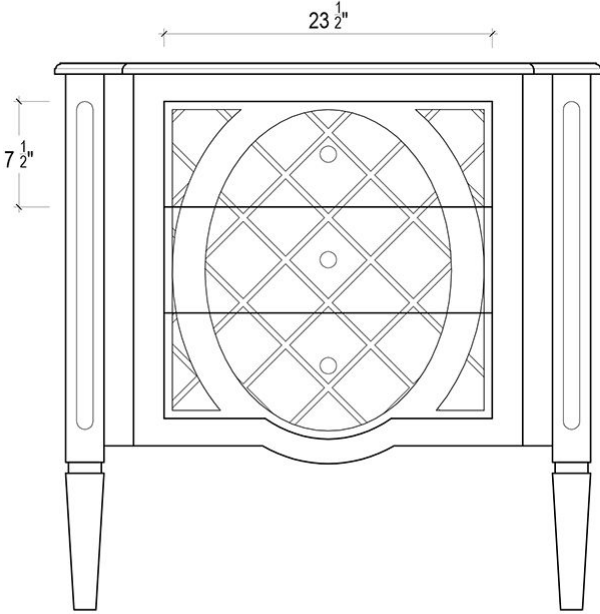


Overview

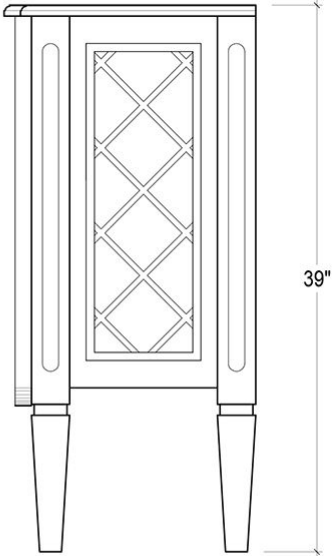
Dauphine Dresser



TOP VIEW



FRONT VIEW



SIDE VIEW

Visual Highlights



Technical Specification

Dimensions	39W x 18D x 39H in	CBM	0.56
Number of Packages	1	Cubic Feet	19.78 ft³
Package 1 Dimensions	42.5 x 21.3 x 44.9 in	Package 1 Weight	110.23 lbs
Package Weight Total	110.23 lbs	Net Weight	94.8 lbs
Material	Mahogany		

<https://www.brambleco.com/75461>
