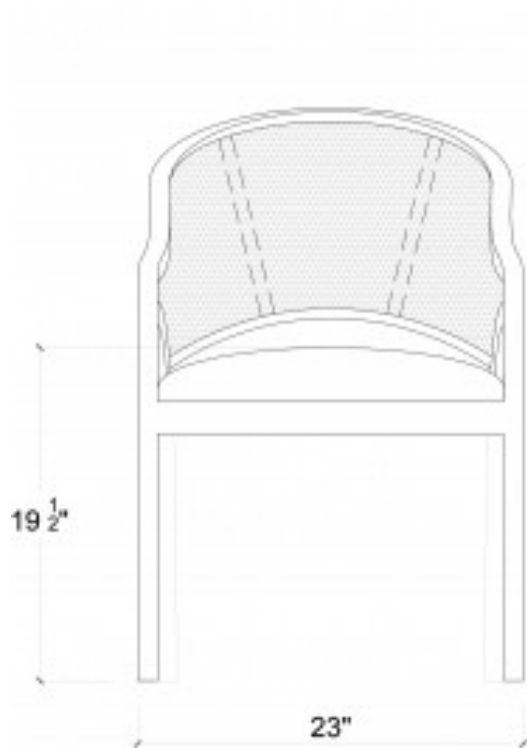
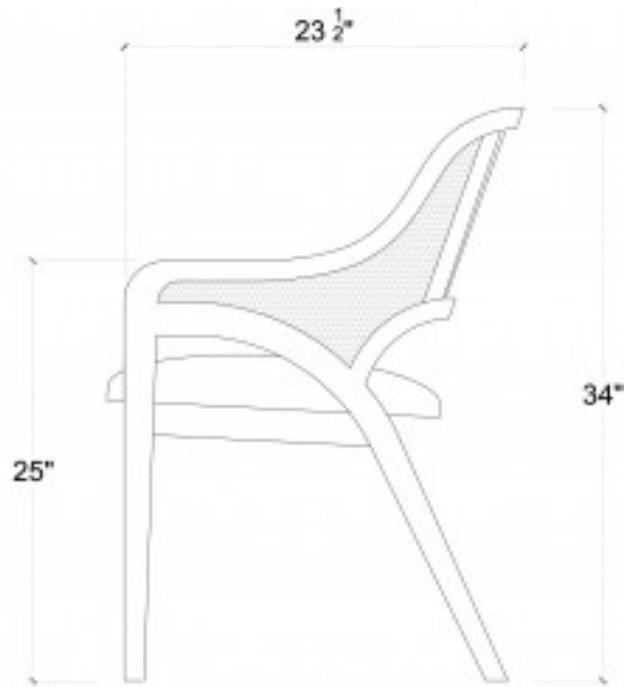


MAYFAIR CHAIR

SKU:	76560
DIMENSIONS:	22.8W x 24.4D x 33.9H in
CBF:	9.76 ft <sup>3</sup>
MATERIAL:	Mahogany wood, Rattan, Upholstery
COLLECTION:	Steven Shell
NET WEIGHT	16.53 lbs
NUMBER OF BOXES:	1
PACK DIMENSIONS:	24.4W x 26D x 36.6H in



FRONT VIEW



SIDE VIEW