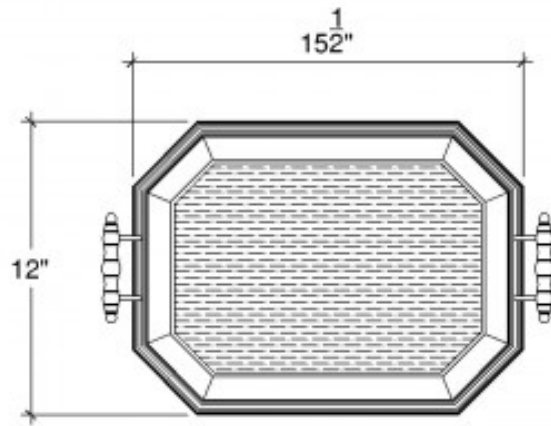
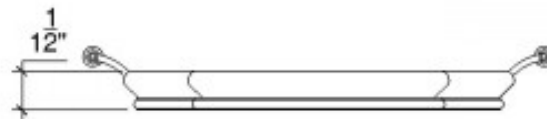


VICTORIAN OCTAGONAL TRAY SMALL

SKU:	27641WHD---A644-
DIMENSIONS:	15.7W x 11.8D x 1.6H in
MATERIAL:	Mahogany
COLLECTION:	Accessories
NET WEIGHT	2.2 lbs
CBM (BOX)	0.01 m ³
NUMBER OF BOXES:	1
BOX DIMENSIONS:	17.3W x 13.4D x 4.3H in
BOX 2 DIMENSIONS:	0.6W x 0.6D x 0.4H in



TOP VIEW



FRONT VIEW