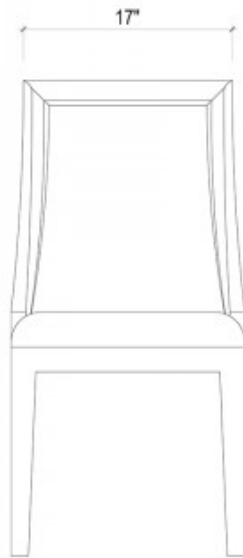
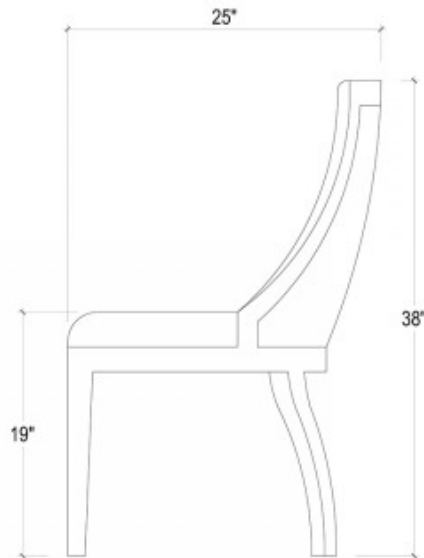


MONARCH DINING CHAIR

SKU:	US-WS-26785SRBLN126----
DIMENSIONS:	18.9W x 22D x 38.2H in
CUBIC FEET	6.77 ft ³
MATERIAL:	Mahogany
COLLECTION:	Aries
NET WEIGHT	16.53 lbs
QUICK SHIP:	No
CBM (BOX)	0.2111706 m ³
NUMBER OF BOXES:	1
BOX DIMENSIONS:	20.1W x 26.4D x 40.6H in



FRONT VIEW



SIDE VIEW