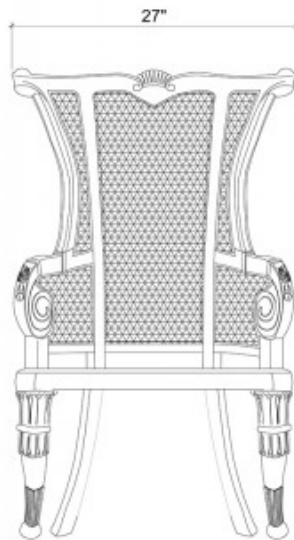
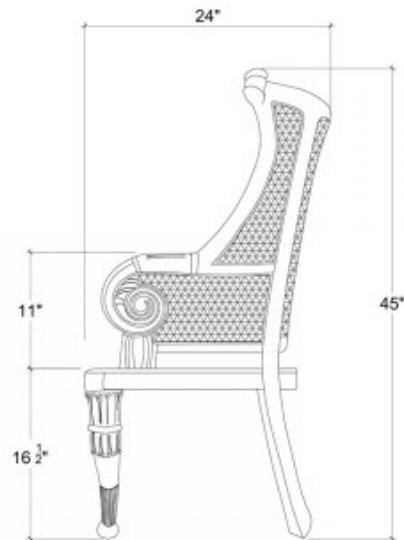


MARTINIQUE WING CHAIR

SKU:	26475.config
DIMENSIONS:	27.2W x 24D x 44.9H in
CUBIC FEET	18.68 ft ³
MATERIAL:	Mahogany
COLLECTION:	Club Chairs
NET WEIGHT	26.46 lbs
QUICK SHIP:	Yes
CBM (BOX)	0.574145 m ³
NUMBER OF BOXES:	1
BOX DIMENSIONS:	30.3W x 27.2D x 50.4H in



FRONT VIEW



SIDE VIEW